

HONDA

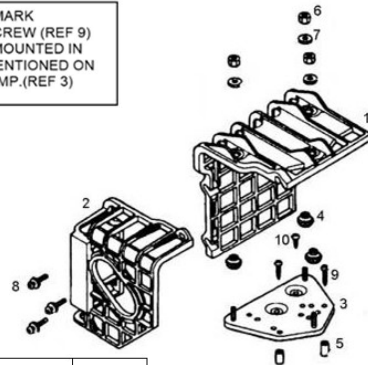
Part number: 06185-ZH8-W410

Application: Heat protection for GX120UT2/3 / GX160UT2 (STD and silent muffler) and GX200UT2 (STD muffler)

Packing: 1 piece/set



REMARK
TAPPING SCREW (REF 9)
MUST BE MOUNTED IN
HOLES '2' MENTIONED ON
BASE COMP.(REF 3)



REF	NAME	QTY	REF	NAME	QTY
1	muffler cover comp.	1	6	hex.nut 5mm	3
2	rear muffler cover comp.	1	7	plain washer 5mm	3
3	muffler cover base comp.	1	8	screw washer 6x20	3
4	muffler cover spacer	3	9	tapping screw 5x25	2
5	air cleaner case collar	2	10	tapping screw 5x8	1