

INTRODUCTION

Thank you for purchasing a Honda engine. We want to help you to get the best results from your new engine and to operate it safely. This manual contains information on how to do that; please read it carefully before operating the engine. If a problem should arise, or if you have any questions about your engine, consult an authorized Honda servicing dealer.


All information in this publication is based on the latest product information available at the time of printing. American Honda Motor Co., Inc. reserves the right to make changes at any time without notice and without incurring any obligation. No part of this publication may be reproduced without written permission.

This manual should be considered a permanent part of the engine and should remain with the engine if resold.

Review the instructions provided with the equipment powered by this engine for any additional information regarding engine startup, shutdown, operation, adjustments or any special maintenance instructions.

SAFETY MESSAGES

Your safety and the safety of others is very important. We have provided important safety messages in this manual and on the engine. Please read these messages carefully.

A safety message alerts you to potential hazards that could hurt you or others. Each safety message is preceded by a safety alert symbol  and one of three words, DANGER, WARNING, or CAUTION.

These signal words mean:

DANGER

You WILL be KILLED or SERIOUSLY HURT if you don't follow instructions.

WARNING

You CAN be KILLED or SERIOUSLY HURT if you don't follow instructions.

CAUTION

You CAN be HURT if you don't follow instructions.

Each message tells you what the hazard is, what can happen, and what you can do to avoid or reduce injury.

DAMAGE PREVENTION MESSAGES

You will also see other important messages that are preceded by the word NOTICE.

This word means:

NOTICE

Your engine or other property can be damaged if you don't follow instructions.

The purpose of these messages is to help prevent damage to your engine, other property, or the environment.

SAFETY INFORMATION

- Understand the operation of all controls and learn how to stop the engine quickly in case of emergency. Make sure the operator receives adequate instruction before operating the equipment.
- Your engine's exhaust contains poisonous carbon monoxide. Do not run the engine without adequate ventilation, and never run the engine indoors.
- The engine and exhaust become very hot during operation. Keep the engine at least 3 feet (1 meter) away from buildings and other equipment during operation. Keep flammable materials away, and do not place anything on the engine while it is running.

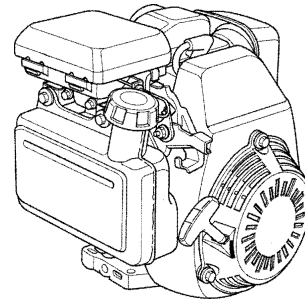
HONDA E N G I N E S

OWNER'S MANUAL

MANUEL DE L'UTILISATEUR

MANUAL DEL USARIO

GS160 • GS190



37Z2AA00
00X37-Z2A-A000

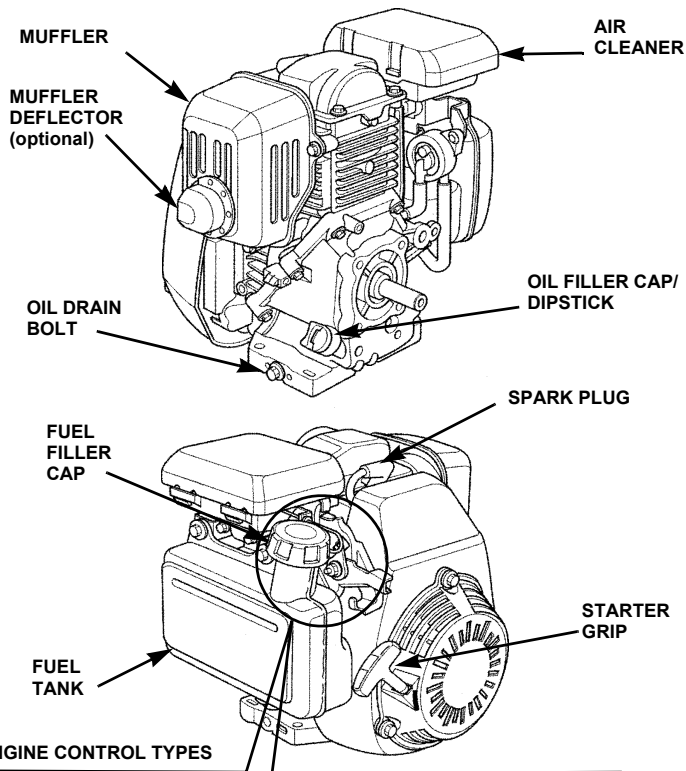


AHM POM53675
250.2003.11
PRINTED IN U.S.A.

CONTENTS

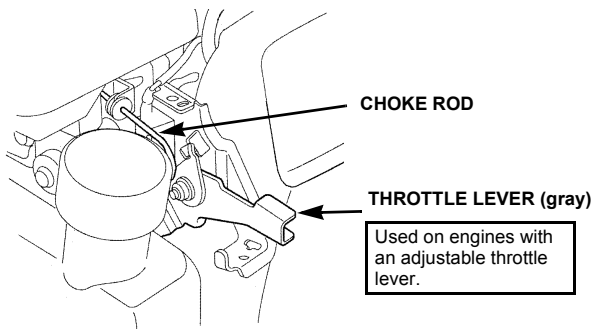
INTRODUCTION	1	HELPFUL TIPS & SUGGESTIONS	7
SAFETY MESSAGES	1	Storing Your Engine	7
Damage Prevention Messages	1	Adding a Gasoline Stabilizer to Extend Fuel Storage Life... ..	7
Safety Information	1	Draining the Fuel Tank and Carburetor	7
COMPONENT & CONTROL LOCATION	2	Transporting	8
BEFORE OPERATION CHECKS	2	TAKING CARE OF UNEXPECTED PROBLEMS	8
Is Your Engine Ready to Go?	2	TECHNICAL & CONSUMER INFORMATION	8
OPERATION	2	Serial Number Location and Type Location	8
Safe Operating Precautions	2	High Altitude Operation	9
Type 1 Operation	3	Oxygenated Fuels	9
Type 2 Operation	3	Specifications	9
Type 3 Operation	4	Tuneup Specifications	9
Oil Alert® System	4	Quick Reference Information ..	9
SERVICING YOUR ENGINE	4	Wiring Diagram	10
The Importance of Maintenance	4	CONSUMER INFORMATION ..	10
Maintenance Safety	4	Honda Publications	10
Safety Precautions	4	WARRANTY INFORMATION	Last page
Maintenance Schedule	5		
Refueling	5		
Fuel Recommendations	5		
Engine Oil	5		
Air Cleaner	6		
Spark Plug	6		
Spark Arrestor	7		

COMPONENT & CONTROL LOCATION

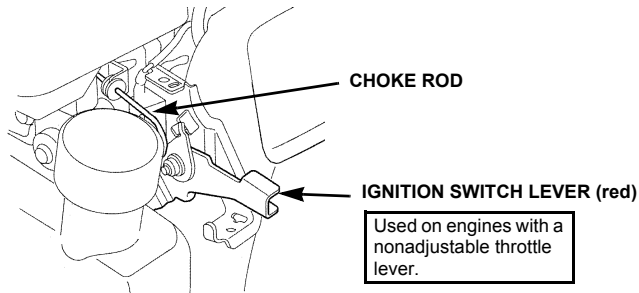


ENGINE CONTROL TYPES

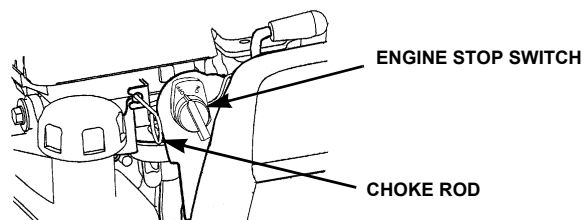
TYPE 1: MANUAL THROTTLE / MANUAL CHOKE



TYPE 2: FIXED THROTTLE / IGNITION SWITCH LEVER / MANUAL CHOKE



TYPE 3: FIXED THROTTLE / ENGINE STOP SWITCH / MANUAL CHOKE



BEFORE OPERATION CHECKS

IS YOUR ENGINE READY TO GO?

For your safety, and to maximize the service life of your equipment, it is very important to take a few moments before you operate the engine to check its condition. Be sure to take care of any problem you find, or have your servicing dealer correct it, before you operate the engine.

⚠ WARNING

Improperly maintaining this engine, or failure to correct a problem before operation, can cause a malfunction in which you can be seriously hurt or killed.

Always perform a preoperation inspection before each operation, and correct any problem.

Before beginning your preoperation checks, be sure the engine is level and the throttle lever (ignition switch lever or engine stop switch) is in the STOP position.

Always check the following items before you start the engine:

1. Fuel level (see page 5).
2. Oil level (see page 5).

The Oil Alert® system (applicable engine types) will automatically stop the engine before the oil level falls below safe limits. However, to avoid the inconvenience of an unexpected shutdown, always check the engine oil level before startup.

3. Air cleaner (see page 6).
4. General inspection: Check for fluid leaks and loose or damaged parts.
5. Check the equipment powered by this engine.

Review the instructions provided with the equipment powered by this engine for any precautions and procedures that should be followed before engine startup.

OPERATION

SAFE OPERATING PRECAUTIONS

Before operating the engine for the first time, please review the *SAFETY INFORMATION* section on page 1 and the *BEFORE OPERATION CHECKS* above.

⚠ WARNING

Carbon monoxide gas is toxic. Breathing it can cause unconsciousness and even kill you.

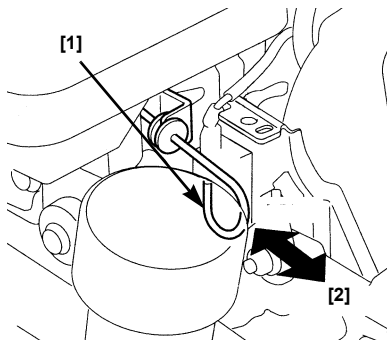
Avoid any areas or actions that expose you to carbon monoxide.

Review the instructions provided with the equipment powered by this engine for any safety precautions that should be observed with engine startup, shutdown or operation.

TYPE 1: MANUAL THROTTLE / MANUAL CHOKE

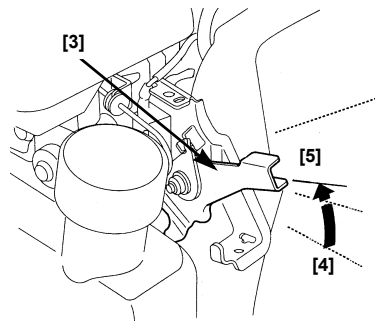
Starting a Cold Engine

1. Pull the choke rod [1] to the CLOSED [2] position.



2. Move the throttle lever (gray) [3] away from the SLOW [4] position, about 1/3 of the way toward the FAST [5] position.

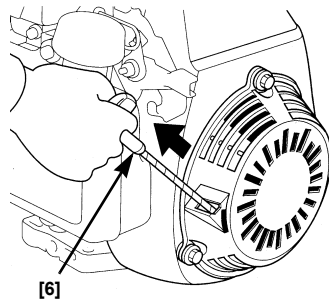
Some engine applications use a remotely-mounted throttle control rather than the engine-mounted throttle lever shown here.



3. Pull the starter grip [6] lightly until resistance is felt, then pull briskly.

NOTICE

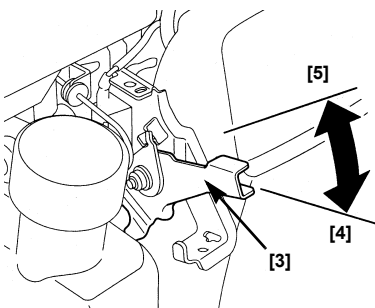
Do not allow the starter grip to snap back against the engine. Return it gently to prevent damage to the starter.



4. If the choke rod was pulled to the CLOSED position to start the engine, push it to the OPEN position as soon as the engine warms up enough to run smoothly.

Throttle Setting

Position the throttle control lever (gray) [3] for the desired engine speed. For best engine performance, it is recommended the engine be operated with the throttle in the FAST [5] (or high) position.



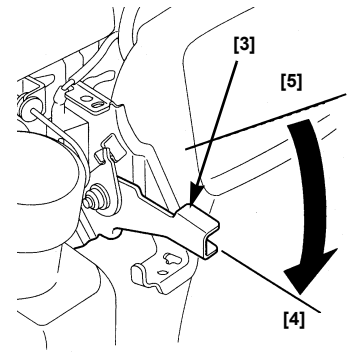
Starting a Warm Engine

If the engine has run out of fuel, pull the choke rod to the CLOSED position after refueling. If the engine has not run out of fuel, leave the choke rod in the OPEN position.

1. Place the throttle lever in the FAST [5] position.
2. Pull the starter grip lightly until you feel resistance, then pull briskly.

Stopping the Engine

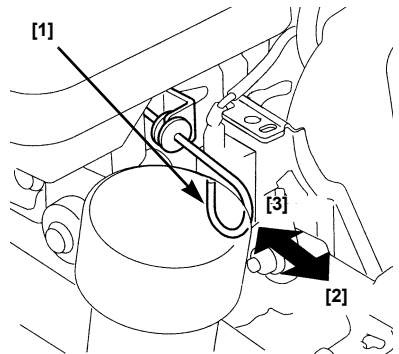
1. Move the throttle lever (gray) to the SLOW [4] position.
2. Allow the engine to idle for a few seconds, then move the throttle lever to the STOP position.



TYPE 2: FIXED THROTTLE / IGNITION SWITCH LEVER / MANUAL CHOKE

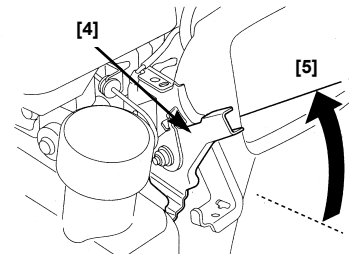
Starting a Cold Engine

1. Pull the choke rod [1] to the CLOSED [2] position.



2. Move the ignition switch lever (red) [4] to the ON [5] position.

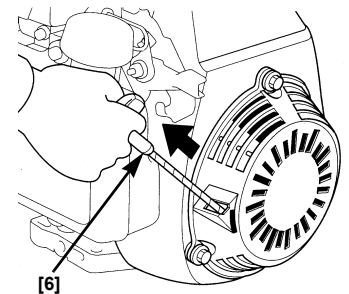
Some engine applications use a remotely-mounted ignition switch rather than the engine-mounted ignition switch lever shown here.



3. Pull the starter grip [6] lightly until resistance is felt, then pull briskly.

NOTICE

Do not allow the starter grip to snap back against the engine. Return it gently to prevent damage to the starter.



4. If the choke rod was pulled to the CLOSED [2] position to start the engine, push it to the OPEN [3] position as soon as the engine warms up enough to run smoothly.

5. The engine speed is preset on this type.

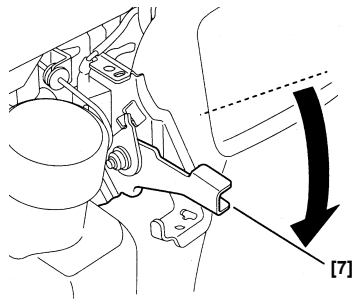
Starting a Warm Engine

If the engine has run out of fuel, pull the choke rod to the CLOSED [2] position after refueling. If the engine has not run out of fuel, leave the choke rod in the OPEN [3] position.

1. Pull the starter grip lightly until you feel resistance, then pull briskly.
2. If the choke was pulled to the CLOSED [2] position to start, push it to the OPEN [3] position as soon as the engine starts.

Stopping the Engine

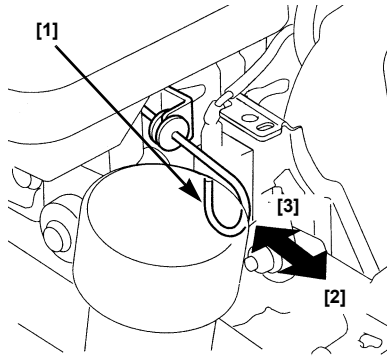
Move the ignition switch lever (red) to the OFF [7] position.



TYPE 3: FIXED THROTTLE / ENGINE STOP SWITCH / MANUAL CHOKE

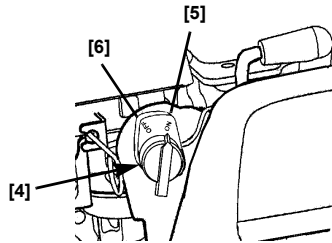
Starting a Cold Engine

1. Pull the choke rod [1] to the CLOSED [2] position.



2. Move the engine stop switch [4] to the ON [5] position.

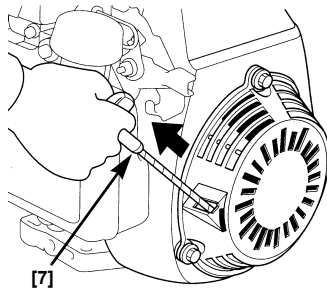
Some engine applications use a remotely-mounted ignition switch rather than the engine-mounted engine stop switch shown here.



3. Pull the starter grip [7] lightly until resistance is felt, then pull briskly.

NOTICE

Do not allow the starter grip to snap back against the engine. Return it gently to prevent damage to the starter.



4. If the choke rod [1] was pulled to the CLOSED [2] position to start the engine, push it to the OPEN [3] position as soon as the engine warms up enough to run smoothly.

5. The engine speed is preset on this type.

Starting a Warm Engine

If the engine has run out of fuel, pull the choke rod to the CLOSED [2] position after refueling. If the engine has not run out of fuel, leave the choke rod in the OPEN [3] position.

1. Pull the starter grip [7] lightly until you feel resistance, then pull briskly.
2. If the choke rod [1] was pulled to the CLOSED [2] position to start, push it to the OPEN [3] position as soon as the engine starts.

Stopping the Engine

Move the engine stop switch to the OFF [6] position.

OIL ALERT® SYSTEM

The Oil Alert system is designed to prevent engine damage caused by an insufficient amount of oil in the crankcase. Before the oil level in the crankcase can fall below a safe limit, the Oil Alert system will automatically stop the engine [the throttle lever (ignition switch lever) will remain in a run position].

If the engine stops and will not restart, check the engine oil level (page 5) before troubleshooting in other areas.

SERVICING YOUR ENGINE

THE IMPORTANCE OF MAINTENANCE

Good maintenance is essential for safe, economical and trouble-free operation. It will also help reduce pollution.

⚠ WARNING

Improper maintenance, or failure to correct a problem before operation, can cause a malfunction in which you can be seriously hurt or killed.

Always follow the inspection and maintenance recommendations and schedules in this owner's manual.

To help you properly care for your engine, the following pages include a maintenance schedule, routine inspection procedures, and simple maintenance procedures using basic hand tools. Other service tasks that are more difficult, or require special tools, are best handled by professionals and are normally performed by a Honda technician or other qualified mechanic.

The maintenance schedule applies to normal operating conditions. If you operate your engine under severe conditions, such as sustained high-load or high-temperature operation, or use in unusually wet or dusty conditions, consult your servicing dealer for recommendations applicable to your individual needs and use.

MAINTENANCE SAFETY

Some of the most important safety precautions follow. However, we cannot warn you of every conceivable hazard that can arise in performing maintenance. Only you can decide whether or not you should perform a given task.

⚠ WARNING

Failure to properly follow maintenance instructions and precautions can cause you to be seriously hurt or killed.

Always follow the procedures and precautions in this owner's manual.

SAFETY PRECAUTIONS

- Make sure the engine is off before you begin any maintenance or repairs. This will eliminate several potential hazards:
 - **Carbon monoxide poisoning from engine exhaust.**
Be sure there is adequate ventilation whenever you operate the engine.
 - **Burns from hot parts.**
Let the engine and exhaust system cool before touching.
 - **Injury from moving parts.**
Do not run the engine unless instructed to do so.
- Read the instructions before you begin, and make sure you have the tools and skills required.

- To reduce the possibility of fire or explosion, be careful when working around gasoline. Use only a nonflammable solvent, not gasoline, to clean parts. Keep cigarettes, sparks and flames away from all fuel related parts.

Remember that an authorized Honda servicing dealer knows your engine best and is fully equipped to maintain and repair it.

To ensure the best quality and reliability, use only new genuine Honda parts or their equivalents for repair and replacement.

MAINTENANCE SCHEDULE

ITEM (4)	ACTION	Before Each Use	First Month or 5 Hrs	Every 3 Months or 25 Hrs	Every 6 Months or 50 Hrs	Every Year or 100 Hrs	Every Two Years or 250	Page
Engine oil	Check	○						5
	Change		○		○ (2)			6
Air filter	Check	○						6
	Clean			○ (1)				
	Replace						○	
Spark plug	Check-adjust					○		6
	Replace						○	
Spark arrester	Clean					○		7
Idle speed	Check-adjust					○ (3)		Shop manual
Fuel tank and filter	Clean					○ (3)		Shop manual
Fuel tube	Check	Every 2 years (Replace if necessary) (3)						Shop manual
Valve clearance	Check-adjust					○ (3)		Shop manual
Combustion chamber	Clean	After every 250 hours (3)						Shop manual

- Service more frequently when used in dusty areas.
- Change engine oil every 25 hours when used under heavy load or in high ambient temperatures.
- These items should be serviced by an authorized Honda servicing dealer, unless you have the proper tools and are mechanically proficient. Refer to the Honda shop manual for service procedures.
- For commercial use, log hours of operation to determine proper maintenance intervals.

REFUELING

Use unleaded gasoline with a pump octane rating of 86 or higher. This engine is certified to operate on unleaded gasoline. Unleaded gasoline produces fewer engine and spark plug deposits and extends exhaust system life.

WARNING

Gasoline is highly flammable and explosive, and you can be burned or seriously injured when refueling.

- Stop engine and keep heat, sparks, and flame away.
- Refuel only outdoors.
- Wipe up spills immediately.

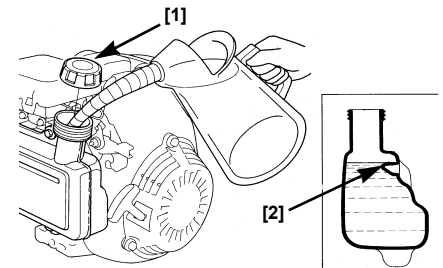
NOTICE

Fuel can damage paint and some types of plastic. Be careful not to spill fuel when filling your fuel tank. Damage caused by spilled fuel is not covered under the Distributor's Limited Warranty.

Never use stale or contaminated gasoline or oil/gasoline mixture. Avoid getting dirt or water in the fuel tank.

Adding Fuel

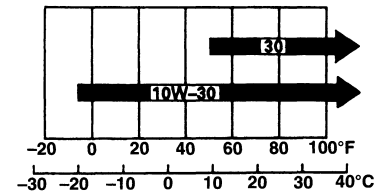
- Remove the fuel tank cap [1].
- Add fuel to the bottom of the fuel level limit [2] in the neck of the fuel tank. Do not overfill. Wipe up spilled fuel before starting the engine.



ENGINE OIL

Recommended Oil

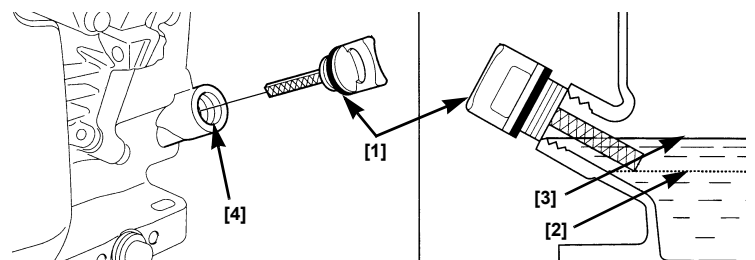
Use 4-stroke motor oil that meets or exceeds the requirements for API service classification SH, SJ, or equivalent. Always check the API service label on the oil container to be sure it includes the letters SH, SJ, or equivalent.



SAE 10W-30 is recommended for general use. Other viscosities shown in the chart may be used when the average temperature in your area is within the indicated range.

Oil Level Check

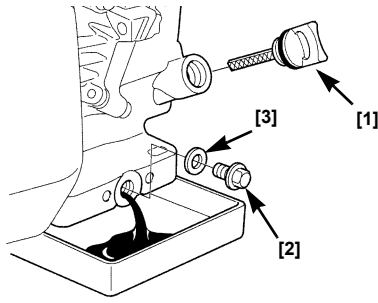
- Check the oil with the engine stopped and level.
- Remove the oil filler cap/dipstick [1] and wipe it clean.
- Insert the oil filler cap/dipstick [1] into the oil filler neck as shown, but do not screw it in, then remove it to check the oil level.
- If the oil level is near or below the lower limit mark [2] on the dipstick, remove the oil filler cap/dipstick, and fill with the recommended oil to the upper limit mark [3] (bottom edge of the oil fill hole). Do not overfill.
- Reinstall the oil filler cap/dipstick [1].



Oil Change

Drain the engine oil when the engine is warm. Warm oil drains quickly and completely.

1. Place a suitable container next to the engine to catch the used oil.
2. Remove the oil filler cap/dipstick [1] and the oil drain plug [2].
3. Allow the used oil to drain completely, then reinstall the drain plug [2] and washer [3]. Tighten the drain plug securely.



Please dispose of used motor oil in a manner that is compatible with the environment. We suggest you take used oil in a sealed container to your local recycling center or service station for reclamation. Do not throw it in the trash or pour it on the ground or down a drain.

4. With the engine in a level position, fill to the upper limit mark (bottom edge of the oil fill hole [4]) on the oil filler cap/dipstick [1] with the recommended oil (see page 5).

NOTICE

Running the engine with a low oil level can cause engine damage.

5. Reinstall the oil filler cap/dipstick [1] securely.

AIR CLEANER

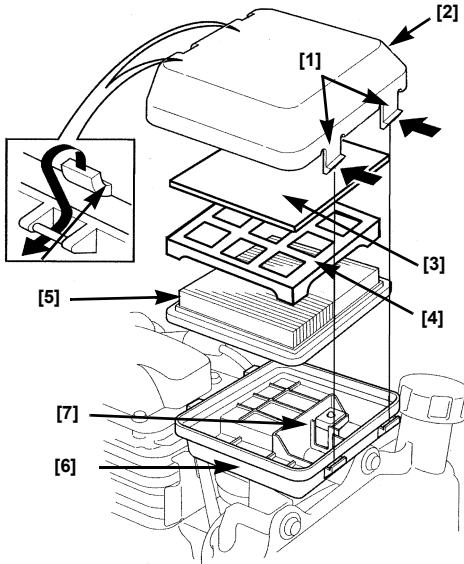
A dirty air cleaner will restrict air flow to the carburetor and cause poor engine performance. Inspect the filter each time the engine is operated. You will need to clean the filter more frequently if you operate the engine in very dusty areas.

NOTICE

Operating the engine without an air filter, or with a damaged filter, will allow dirt to enter the engine, causing rapid engine wear. This type of damage is not covered under the Distributor's Limited Warranty.

Inspection

1. Press the latch tabs [1] on the top of the air cleaner cover [2], and remove the cover.
2. Remove the foam element [3] from the air cleaner cover.
3. Remove the grid [4] from the paper element [5].
4. Check both elements to be sure they are clean and in good condition.
5. Reinstall the grid [4] over the paper element. Make sure that the grid completely surrounds the paper pleats.
6. Reinstall the foam element in the air cleaner cover.
7. Set the paper element and screen grid in the air cleaner body then install the air cleaner cover



Cleaning

1. Tap the filter [5] several times on a hard surface to remove dirt, or blow compressed air [not exceeding 30 psi (207 kPa, 2.1 kg/cm²)] through the filter from the clean side that faces the engine. Never try to brush off dirt. Brushing will force dirt into the fibers.
2. Foam Element [3]: Wash the element in a solution of household detergent and warm water, then rinse thoroughly, or wash in nonflammable or high flash point solvent. Allow the element to dry thoroughly. Soak the element in clean engine oil and squeeze out the excess oil. The engine will smoke during initial start-up if too much oil is left in the foam, or the oil could saturate the paper element making the engine inoperable.
3. Wipe dirt from the air cleaner body [6] and cover using a moist rag. Be careful to prevent dirt from entering the air duct [7] that leads to the carburetor.

SPARK PLUG

Recommended Spark Plug: NGK BPR6ES

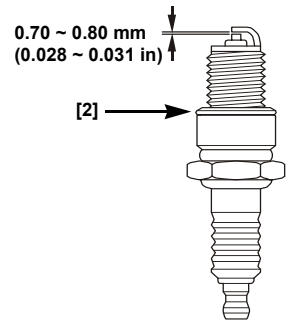
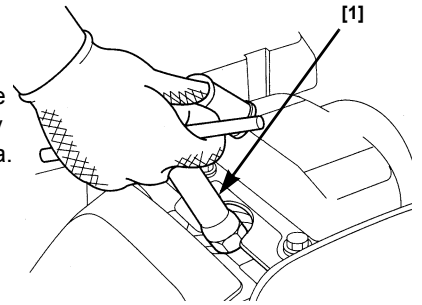
The recommended spark plug is the correct heat range for normal engine operating temperatures.

NOTICE

Incorrect spark plugs can cause engine damage.

For good performance, the spark plug must be properly gapped and free of deposits.

1. Disconnect the cap from the spark plug, and remove any dirt from the spark plug area.
2. Use the proper size spark plug wrench [1] to remove the spark plug.
3. Inspect the spark plug. Replace it if damaged, badly fouled, if the sealing washer is in poor condition, or if the electrode is worn.
4. Measure the electrode gap with a suitable gauge. The correct gap is 0.70 – 0.80 mm (0.028 – 0.031 in). If adjustment is needed, correct the gap by carefully bending the side electrode.
5. Install the spark plug carefully, by hand, to avoid cross-threading.
6. After the spark plug is seated, tighten with the proper size spark plug wrench [1] to compress the washer [2].
7. When installing a new spark plug, tighten 1/2 turn after the spark plug seats to compress the washer.
8. When reinstalling the original spark plug, tighten 1/8 – 1/4 turn after the spark plug seats to compress the washer.



NOTICE

A loose spark plug can become very hot and can damage the engine. Overtightening the spark plug can damage the threads in the cylinder head.

9. Attach the spark plug cap to the spark plug.

SPARK ARRESTER (optional equipment)

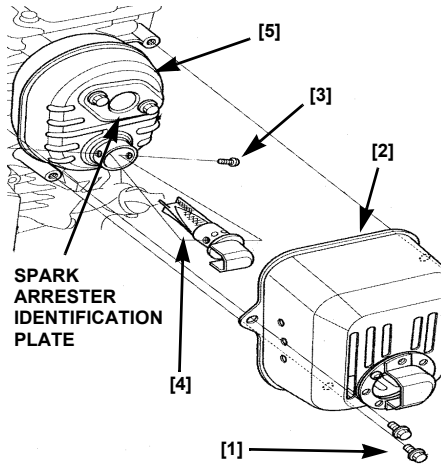
In some areas, it is illegal to operate an engine without a spark arrester. Check local laws and regulations. A spark arrester is available from an authorized Honda servicing dealer.

The spark arrester must be serviced every 100 hours to keep it functioning as designed.

If the engine has been running, the muffler will be hot. Allow it to cool before servicing the spark arrester.

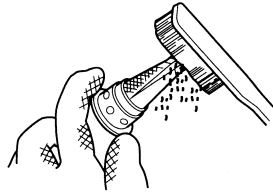
Spark Arrester Removal

1. Remove the three 6 mm bolts [1] from the muffler protector [2], and remove the muffler protector.
2. Remove the two special screws [3] from the spark arrester [4], and remove the spark arrester from the muffler [5].



Spark Arrester Cleaning & Inspection

1. Use a brush to remove carbon deposits from the spark arrester screen. Be careful not to damage the screen. Replace the spark arrester if it has breaks or holes.
2. Install the spark arrester in the reverse order of removal.



HELPFUL TIPS & SUGGESTIONS

STORING YOUR ENGINE

Storage Preparation

Proper storage preparation is essential for keeping your engine trouble-free and looking good. The following steps will help to keep rust and corrosion from impairing your engine's function and appearance, and will make the engine easier to start when you use it again.

Cleaning

If the engine has been running, allow it to cool for at least half an hour before cleaning. Clean all exterior surfaces, touch up any damaged paint, and coat other areas that may rust with a light film of oil.

NOTICE

Using a garden hose or pressure washing equipment can force water into the air cleaner or muffler opening. Water in the air cleaner will soak the air filter, and water that passes through the air filter or muffler can enter the cylinder, causing damage.

Fuel

Gasoline will oxidize and deteriorate in storage. Deteriorated gasoline will cause hard starting, and it leaves gum deposits that clog the fuel system. If the gasoline in your engine deteriorates during storage, you may need to have the carburetor, and other fuel system components, serviced or replaced.

The length of time that gasoline can be left in your fuel tank and carburetor without causing functional problems will vary with such factors as gasoline blend, your storage temperatures, and whether the fuel tank is partially or completely filled. The air in a partially filled fuel tank promotes fuel deterioration. Very warm storage temperatures accelerate fuel deterioration. Fuel problems may occur within a few months, or even less if the gasoline was not fresh when you filled the fuel tank.

Fuel system damage or engine performance problems resulting from neglected storage preparation are not covered under the *Distributor's Limited Warranty*.

You can extend fuel storage life by adding a gasoline stabilizer that is formulated for that purpose, or you can avoid fuel deterioration problems by draining the fuel tank and carburetor.

ADDING A GASOLINE STABILIZER TO EXTEND FUEL STORAGE LIFE

When adding a gasoline stabilizer, fill the fuel tank with fresh gasoline. If only partially filled, air in the tank will promote fuel deterioration during storage. If you keep a container of gasoline for refueling, be sure that it contains only fresh gasoline.

1. Add gasoline stabilizer following the manufacturer's instructions.
2. After adding a gasoline stabilizer, run the engine outdoors for 10 minutes to be sure that treated gasoline has replaced the untreated gasoline in the carburetor.
3. Stop the engine.

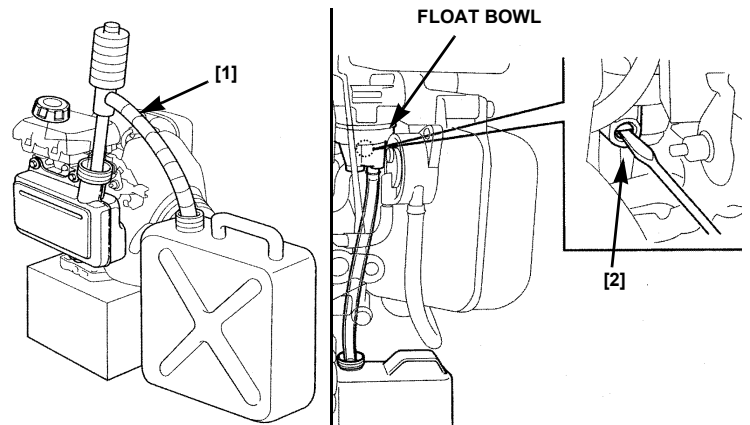
DRAINING THE FUEL TANK AND CARBURETOR

⚠ WARNING

Gasoline is highly flammable and explosive, and you can be burned or seriously injured when handling fuel.

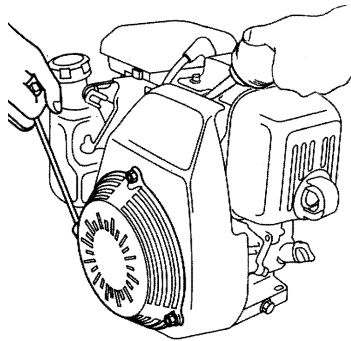
- Stop engine and keep heat, sparks, and flame away.
- Refuel only outdoors.
- Wipe up spills immediately.

1. Use a siphon pump [1] (commercially available) and siphon the fuel out of the fuel tank into an approved gasoline container.
2. Place an approved gasoline container below the carburetor, and use a funnel to avoid spilling fuel.
3. Loosen the carburetor drain screw [2] and drain the carburetor into an approved gasoline container. After draining is completed, tighten the carburetor drain screw.



Engine Oil

1. Change the engine oil (see page 6).
2. Remove the spark plug (see page 6).
3. Pour a tablespoon (5 – 10 cc) of clean engine oil into the cylinder.
4. Pull the recoil starter several times to distribute the oil.
5. Reinstall the spark plug.



Storage Precautions

If your engine will be stored with gasoline in the fuel tank and carburetor, it is important to reduce the hazard of gasoline vapor ignition. Select a well-ventilated storage area away from any appliance that operates with a flame, such as a furnace, water heater, or clothes dryer. Also avoid any area with a spark-producing electric motor, or where power tools are operated.

If possible, avoid storage areas with high humidity, because that promotes rust and corrosion.

Keep the engine level in storage. Tilting can cause fuel or oil leakage.

With the engine and exhaust system cool, cover the engine to keep out dust. A hot engine and exhaust system can ignite or melt some materials. Do not use sheet plastic as a dust cover. A nonporous cover will trap moisture around the engine, promoting rust and corrosion.

Removal from Storage

Check your engine as described in the *BEFORE OPERATION CHECKS* section of this manual (see page 2).

If the fuel was drained during storage preparation, fill the tank with fresh gasoline. If you keep a container of gasoline for refueling, be sure it contains only fresh gasoline. Gasoline oxidizes and deteriorates over time, causing hard starting.

If the cylinder was coated with oil during storage preparation, the engine will smoke briefly at startup. This is normal.

TRANSPORTING

Keep the engine level when transporting to reduce the possibility of fuel leakage.

TAKING CARE OF UNEXPECTED PROBLEMS

ENGINE WILL NOT START	Possible Cause	Correction
1. Check control positions.	Choke OPEN.	Pull the choke to the CLOSED position unless the engine is warm.
	Ignition switch OFF.	<ul style="list-style-type: none"> • Move the throttle lever to the SLOW or FAST position (p. 3). • Move the ignition switch lever to the ON position (p. 3). • Move the engine stop switch to the ON position (p. 4).
2. Check engine oil level.	Engine oil level low (Oil Alert models).	Fill with the recommended oil to the proper level (p. 5).
3. Check fuel.	Out of fuel.	Refuel.
	Bad fuel; engine stored without treating or draining gasoline, or refueled with bad gasoline.	Drain the fuel tank and carburetor (p. 7). Refuel with fresh gasoline.
4. Remove and inspect spark plug.	Spark plug faulty, fouled, or improperly gapped.	Replace the spark plug (p. 6).
	Spark plug wet with fuel (flooded engine).	Dry and reinstall spark plug. Start engine with throttle lever in FAST position (choke in OPEN position).
5. Take engine to an authorized Honda servicing dealer, or refer to shop manual.	Fuel filter clogged, carburetor malfunction, ignition malfunction, valves stuck, etc.	Replace or repair faulty components as necessary.

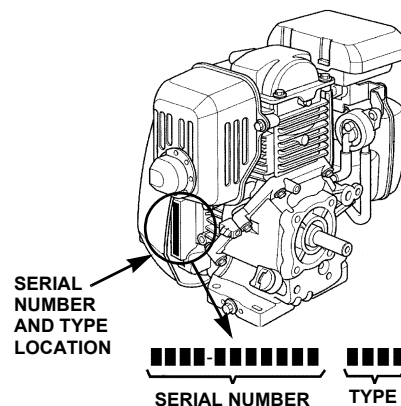
ENGINE LACKS POWER	Possible Cause	Correction
1. Check air filter.	Filter clogged.	Clean or replace the filter (p. 6).
2. Check fuel.	Bad fuel; engine stored without treating or draining gasoline, or refueled with bad gasoline.	Drain the fuel tank and carburetor (p. 7). Refuel with fresh gasoline.
3. Take engine to an authorized Honda servicing dealer, or refer to shop manual.	Fuel filter clogged, carburetor malfunction, ignition malfunction, valves stuck, etc.	Replace or repair faulty components as necessary.

TECHNICAL & CONSUMER INFORMATION

TECHNICAL INFORMATION

Serial Number Location

Record the engine serial number in the space below. You will need this information when ordering parts and when making technical or warranty inquiries.



Engine serial number: _____ - _____

Engine type: _____

Carburetor Modifications for High Altitude Operation

At high altitude, the standard carburetor air-fuel mixture will be too rich. Performance will decrease, and fuel consumption will increase. A very rich mixture will also foul the spark plug and cause hard starting. Operation at an altitude that differs from that at which this engine was certified, for extended periods of time, may increase emissions.

High altitude performance can be improved by specific modifications to the carburetor. If you always operate your trimmer at altitudes above 5,000 feet (1,500 meters), have your servicing dealer perform this carburetor modification. This engine, when operated at high altitude with the carburetor modifications for high altitude use, will meet each emission standard throughout its useful life.

Even with carburetor modification, engine horsepower will decrease about 3.5% for each 1,000-foot (300-meter) increase in altitude. The effect of altitude on horsepower will be greater than this if no carburetor modification is made.

NOTICE

When the carburetor has been modified for high altitude operation, the air-fuel mixture will be too lean for low altitude use. Operation at altitudes below 5,000 feet (1,500 meters) with a modified carburetor may cause the engine to overheat and result in serious engine damage. For use at low altitudes, have your servicing dealer return the carburetor to original factory specifications.

Oxygenated Fuels

Some conventional gasolines are being blended with alcohol or an ether compound. These gasolines are collectively referred to as oxygenated fuels. To meet clean air standards, some areas of the United States and Canada use oxygenated fuels to help reduce emissions.

If you use oxygenated fuel, be sure it is unleaded and meets the minimum octane rating requirements.

Before using an oxygenated fuel, try to confirm the fuel's contents. Some states/provinces require this information to be posted on the pump.

The following are the EPA approved percentages of oxygenates:

ETHANOL — (ethyl or grain alcohol) 10% by volume
You may use gasoline containing up to 10% ethanol by volume. Gasoline containing ethanol may be marketed under the name Gasohol.

MTBE — (methyl tertiary butyl ether) 15% by volume
You may use gasoline containing up to 15% MTBE by volume.

METHANOL — (methyl or wood alcohol) 5% by volume
You may use gasoline containing up to 5% methanol by volume as long as it also contains cosolvents and corrosion inhibitors to protect the fuel system. Gasoline containing more than 5% methanol by volume may cause starting and/or performance problems. It may also damage metal, rubber, and plastic parts of your fuel system.

If you notice any undesirable operating symptoms, try another service station or switch to another brand of gasoline.

Fuel system damage or performance problems resulting from the use of an oxygenated fuel containing more than the percentages of oxygenates mentioned above are not covered under the *Engine warranty*.

Specifications – GS160

Length x Width x Height	337 x 369 x 331 mm (13.3 x 14.5 x 13.0 in)
Dry weight	13.6 kg (30 lb)
Engine type	4-stroke, overhead cam, single cylinder
Displacement [Bore x Stroke]	160 cm ³ (9.8 cu-in) [64 x 50 mm (2.5 x 2.0 in)]
Max. output	4.6 PS (4.6 bhp, 3.4 kW) at 3,600 rpm
Max. torque	0.96 kg/m (6.9 ft-lb, 9.4 N•m) at 2,500 rpm
Fuel tank capacity	1.8 ℓ
Fuel consumption	1.5 l /h at 3,600 rpm
Cooling system	Forced air
Ignition system	Transistorized magneto
PTO shaft rotation	Counterclockwise

Specifications – GS190

Length x Width x Height	345 x 369 x 331 mm (13.6 x 14.5 x 13.0 in)(
Dry weight	13.8 kg (30 lb)
Engine type	4-stroke, overhead cam, single cylinder
Displacement [Bore x Stroke]	187 cm ³ (11.4 cu-in) [69 x 50 mm (2.7 x 2.0 in)]
Max. output	5.3 PS (3.9 kW, 5.2 bhp) at 3,600 rpm
Max. torque	1.14 kg/m (11.2 N•m, 8.3 ft-lb) at 2,500 rpm
Fuel tank capacity	1.8 ℓ
Fuel consumption	1.6 l /h at 3,600 rpm
Cooling system	Forced air
Ignition system	Transistorized magneto
PTO shaft rotation	Counterclockwise

Tuneup Specifications

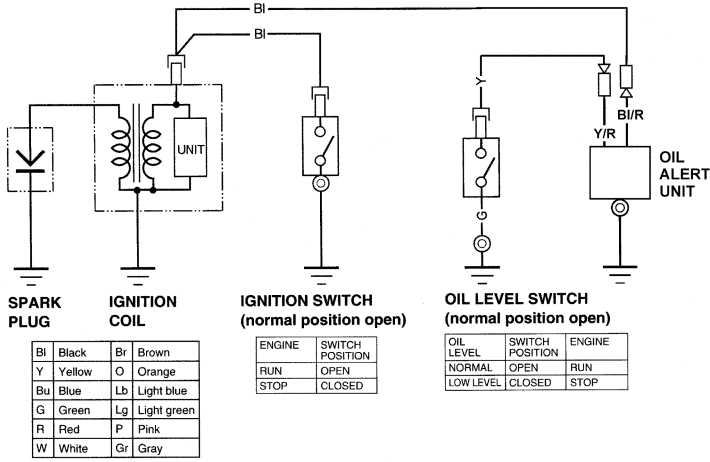
ITEM	SPECIFICATION	MAINTENANCE
Valve clearance (cold)	IN: 0.15 ± 0.04 mm EX: 0.20 ± 0.04 mm	See your authorized Honda dealer
Other specifications	No other adjustments needed.	

Quick Reference Information

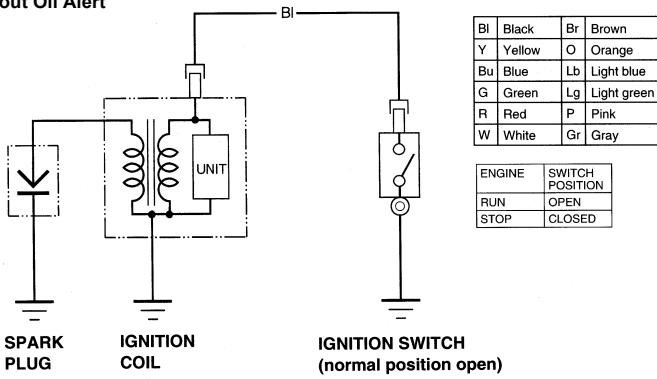
Fuel	Type	Unleaded gasoline with a pump octane rating of 86 or higher (page 5).
	Capacity	1.8 ℓ (0.53 US gal)
Engine oil	Type	SAE 10W-30, API SH or SJ, for general use. Refer to page 5.
	Capacity	0.58 ℓ (0.61 US qt)
Carburetor	Idle speed	1,400 ± 150 rpm
Spark plug	Type	BPR6ES (NGK)
	Gap	0.7 – 0.8 mm (0.028 – 0.031 in) Refer to page 6.
Maintenance	Before each use	Check engine oil level. Refer to page 5. Check air filter. Refer to page 6.
	First 5 hours	Change engine oil. Refer to page 6.
	Subsequent	Refer to the maintenance schedule on page 5.

Wiring Diagram

With Oil Alert



Without Oil Alert



CONSUMER INFORMATION

Honda Publications

These publications will give you additional information for maintaining and repairing your engine. You may order them from an authorized Honda engine servicing dealer.

Shop Manual	This manual covers complete maintenance and overhaul procedures. It is intended to be used by a skilled technician.
Parts Catalog	This manual provides complete, illustrated parts lists.

INTRODUCTION

Merci d'avoir acheté un moteur Honda. Ce manuel vous aidera à obtenir les meilleurs résultats de votre nouveau moteur et à l'utiliser sans danger. Il contient tous les renseignements nécessaires ; veuillez le lire attentivement avant de faire fonctionner le moteur. En cas de problème ou pour toute question concernant votre moteur, veuillez consulter un concessionnaire Honda.

Toute l'information contenue dans ce document est basée sur les données les plus récentes au moment de l'impression. American Honda Motor Co., Inc. se réserve le droit d'apporter des modifications à tout moment sans préavis ni obligation. Toute reproduction, même partielle, de ce document est interdite sans autorisation écrite.

Ce manuel fait partie intégrante du moteur et doit l'accompagner en cas de revente.

Pour tout renseignement supplémentaire concernant le démarrage, l'arrêt, le fonctionnement, les réglages ou toute opération d'entretien particulière du moteur, veuillez consulter les instructions fournies avec le matériel entraîné par ce moteur.

MESSAGES DE SÉCURITÉ

Votre sécurité et celle des autres est très importante. Vous trouverez des messages de sécurité importants dans ce manuel et sur le moteur. Veuillez les lire avec attention.

Les messages de sécurité vous mettent en garde contre les dangers présentés par le moteur. Chacun de ces messages est précédé du symbole de mise en garde ▲ et de l'intitulé DANGER, AVERTISSEMENT ou ATTENTION.

Ces intitulés signifient :

▲ DANGER

DANGER ABSOLU de MORT ou de BLESSURE GRAVE si les instructions ne sont pas respectées.

▲ AVERTISSEMENT

DANGER POTENTIEL de MORT ou de BLESSURE GRAVE si les instructions ne sont pas respectées.

▲ ATTENTION

RISQUE de BLESSURE si les instructions ne sont pas respectées.

Chaque message indique quel est le danger, ce qui peut se produire et ce qui peut être fait pour éliminer ou réduire le risque d'accident.

MESSAGES DE PRÉVENTION DES DOMMAGES

Vous rencontrerez également d'autres messages importants précédés de l'intitulé AVIS.

Ce terme signifie :

AVIS

Risque de dommages matériels du moteur et autres si les instructions ne sont pas respectées.

L'objet de ces messages est d'écartier les risques de dommages du moteur, d'autres matériels et pour l'environnement.

INFORMATION CONCERNANT LA SÉCURITÉ

- Veillez à comprendre le fonctionnement de toutes les commandes et à apprendre comment éteindre le moteur rapidement en cas d'urgence. Assurez-vous que le conducteur reçoive les instructions nécessaires avant d'utiliser le matériel.
- Les gaz d'échappement du moteur contiennent du monoxyde de carbone toxique. Ne faites pas fonctionner le moteur sans ventilation appropriée et jamais à l'intérieur.
- Le moteur et son échappement sont très chauds durant la marche. Maintenez le moteur à 1 mètre (3 pieds) minimum des bâtiments et autres équipements durant la marche. Tenez les matières inflammables à l'écart et ne placez rien sur le moteur durant la marche.

HONDA ENGINES

MANUEL DE L'UTILISATEUR

GS160 • GS190

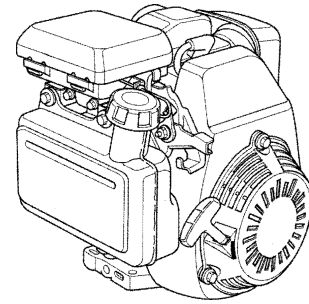
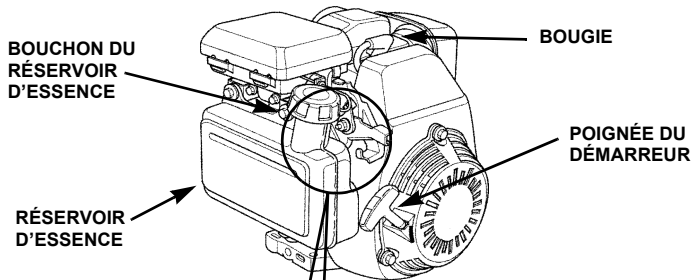
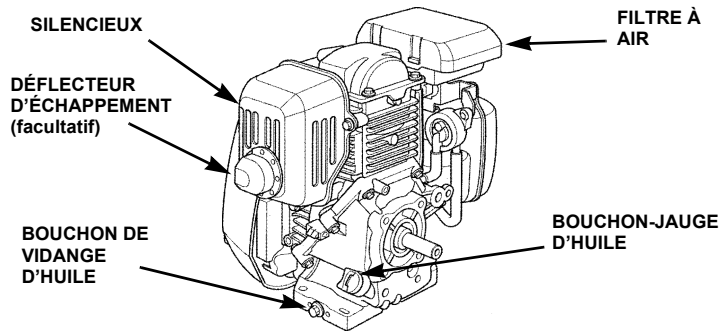


TABLE DES MATIÈRES

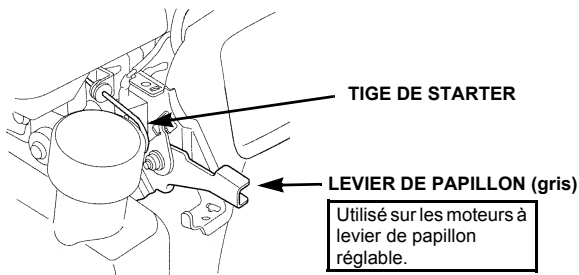
INTRODUCTION	1	CONSEILS PRATIQUES	
MESSAGES DE SÉCURITÉ	1	ET SUGGESTIONS	7
Messages de prévention		Stockage du moteur	7
des dommages	1	Ajout de stabilisateur	
Information concernant la		pour prolonger la durée de	
sécurité	1	conservation de l'essence ...	7
EMPLACEMENT DES		Vidange du réservoir	
COMMANDES ET DES		d'essence et du	
COMPOSANTS	2	carburateur	8
CONTRÔLES AVANT		Transport	8
UTILISATION	2	RÉGLER DES PROBLÈMES	
Le moteur est-il		IMPRÉVUS	8
prêt à fonctionner ?	2	INFORMATIONS TECHNIQUES	
FONCTIONNEMENT	2	ET AU CLIENT	9
Mesures de précaution	2	Emplacement du numéro	
Fonctionnement du type 1. ...	3	de série et du type	9
Fonctionnement du type 2. ...	3	Utilisation à	
Fonctionnement du type 3. ...	4	haute altitude	9
Système Oil Alert®	4	Essences oxygénées	9
ENTRETIEN DU MOTEUR	4	Caractéristiques	9
L'importance de		Caractéristiques de mise	
l'entretien	4	au point	10
Mesures de sécurité		Références rapides	10
concernant l'entretien	4	Schéma de câblage	10
Mesures de précaution	4	INFORMATION AU CLIENT	
Calendrier d'entretien	5	Publications Honda	10
Remplissage du réservoir		INFORMATIONS SUR LA	
d'essence	5	GARANTIE	dernière page
Conseils concernant			
l'essence	5		
Huile moteur	5		
Filtre à air	6		
Bougie	6		
Pare-étincelles	7		

EMPLACEMENT DES COMMANDES ET DES COMPOSANTS

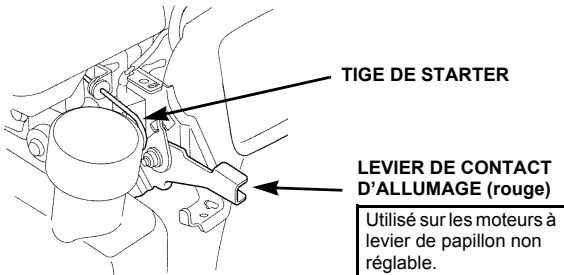


TYPES DE COMMANDE MOTEUR

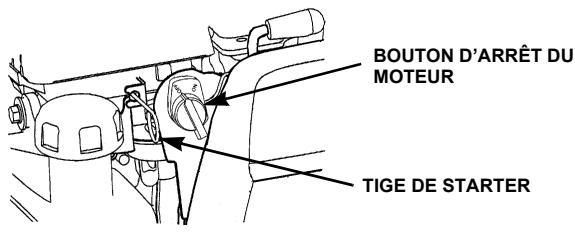
TYPE 1 : PAPILLON MANUEL / STARTER MANUEL



TYPE 2 : CARBURATEUR PRÉRÉGLÉ / LEVIER DE CONTACT D'ALLUMAGE / STARTER MANUEL



TYPE 3 : CARBURATEUR PRÉRÉGLÉ / BOUTON D'ARRÊT MOTEUR / STARTER MANUEL



CONTRÔLES AVANT UTILISATION

LE MOTEUR EST-IL PRÊT À FONCTIONNER ?

Pour des raisons de sécurité et pour assurer une durée de service optimale du matériel, il est très important de consacrer quelques instants au contrôle de l'état du moteur avant de l'utiliser. Veiller à régler tout problème identifié, ou à le faire corriger par un réparateur, avant de faire fonctionner le moteur.

⚠ AVERTISSEMENT

Un entretien inadéquat du moteur ou l'existence de problèmes non résolus avant la mise en marche peuvent entraîner un mauvais fonctionnement pouvant présenter un danger de blessure grave ou de mort.

Toujours effectuer un contrôle préalablement à chaque utilisation et corriger tout problème éventuel.

Avant de débiter les contrôles, s'assurer que le moteur est horizontal et que le levier de papillon (levier de contact d'allumage ou bouton d'arrêt du moteur) est en position ARRÊT.

Toujours effectuer les contrôles suivants avant de démarrer le moteur :

1. Niveau d'essence (voir page 5).
2. Niveau d'huile (voir page 5).

Le système Oil Alert® (sur certains modèles de moteur) arrête automatiquement le moteur avant que le niveau d'huile passe en-dessous de limites admissibles. Toutefois, pour éviter les dérangement occasionnés par un arrêt intempestif, veiller à toujours contrôler le niveau d'huile avant le démarrage.

3. Filtre à air (voir page 6).
4. Contrôle général : Vérifier l'absence de fuites et le bon serrage et l'état des pièces.
5. Contrôler le matériel entraîné par le moteur.

Respecter toutes les précaution et procédures à suivre avant le démarrage du moteur figurant dans le mode d'emploi du matériel entraîné par le moteur.

FONCTIONNEMENT

MESURES DE PRÉCAUTION

Avant de mettre le moteur en marche pour la première fois, consulter la section *INFORMATION CONCERNANT LA SÉCURITÉ* à la page 1 et *CONTRÔLES AVANT UTILISATION* ci-dessus.

⚠ AVERTISSEMENT

Le monoxyde de carbone est un gaz toxique. Son inhalation peut causer une perte de connaissance, voire la mort.

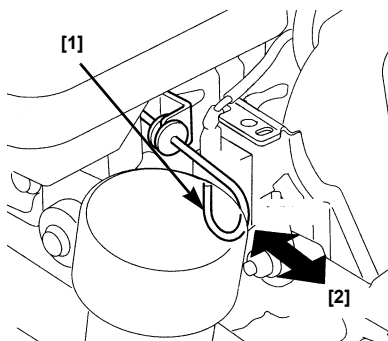
Éviter tout zone ou action présentant un risque d'exposition au monoxyde de carbone.

Respecter toutes les mesures de précaution indiquées dans le mode d'emploi du matériel entraîné concernant le démarrage, l'arrêt et le fonctionnement du moteur.

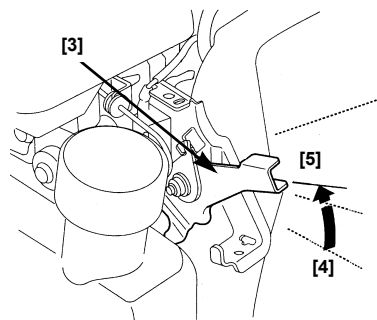
TYPE 1 : PAPILLON MANUEL / STARTER MANUEL

Démarrage du moteur froid

1. Tirer la tige de starter [1] jusqu'à sa position FERMÉ [2].

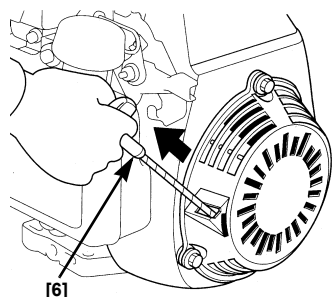


2. Écarter le levier de papillon (gris) [3] de la position lent [4], jusqu'à environ 1/3 de la course vers la position RAPIDE [5].



Certaines applications du moteur comportent une commande des gaz montée à distance plutôt que le levier de papillon du moteur montré ici.

3. Tirer légèrement la poignée du démarreur [6] jusqu'à rencontrer une résistance, puis tirer vigoureusement.



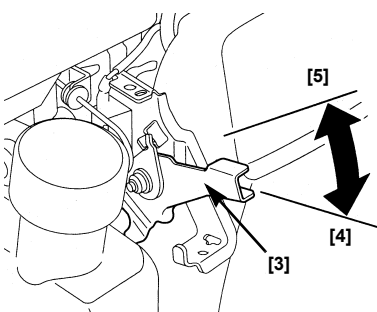
AVIS

Ne pas lâcher la poignée et la laisser revenir violemment contre le moteur. La ramener doucement pour éviter d'endommager le démarreur.

4. Si la tige de starter a été tirée jusqu'à la position FERMÉ pour démarrer le moteur, poussez-la jusqu'à la position OUVERT dès que le moteur est suffisamment chaud pour tourner à un régime régulier.

Réglage du papillon

Régler le levier de papillon (gris) [3] de manière à obtenir le régime moteur souhaité. Pour obtenir un fonctionnement optimal du moteur, il est conseillé de l'utiliser avec le papillon en position RAPIDE [5] (ou régime élevé).



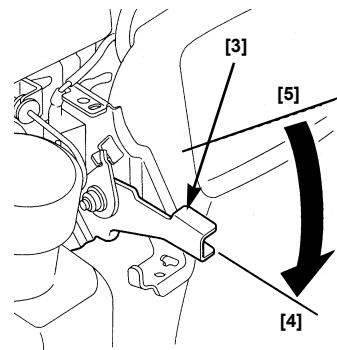
Démarrage du moteur chaud

Suite à une panne d'essence du moteur, tirer la tige de starter jusqu'à sa position FERMÉ après avoir refait le plein. Sinon, laisser la tige de starter en position OUVERT.

1. Placer le levier de papillon en position RAPIDE [5].
2. Tirer légèrement la poignée du démarreur jusqu'à rencontrer une résistance, puis tirer vigoureusement.

Arrêt du moteur

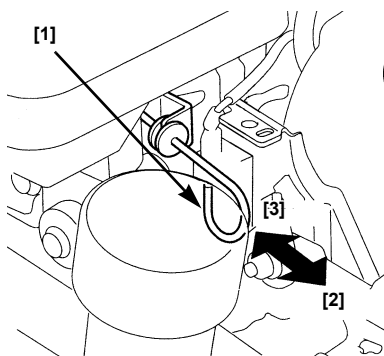
1. Mettre le levier de papillon (gris) en position lent [4].
2. Laisser le moteur tourner au ralenti pendant quelques instants puis amener le levier de papillon en position ARRÊT.



TYPE 2 : CARBURATEUR PRÉRÉGLÉ / LEVIER DE CONTACT D'ALLUMAGE / STARTER MANUEL

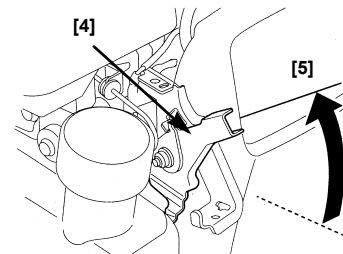
Démarrage du moteur froid

1. Tirer la tige de starter [1] jusqu'à sa position FERMÉ [2].

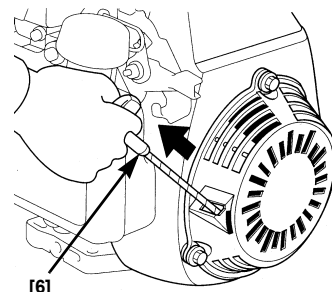


2. Amener le levier de contact d'allumage (rouge) [4] en position de MARCHÉ [5].

Certaines applications du moteur comportent un interrupteur d'allumage monté à distance plutôt que le levier de contact du moteur montré ici.



3. Tirer légèrement la poignée du démarreur [6] jusqu'à rencontrer une résistance, puis tirer vigoureusement.



AVIS

Ne pas lâcher la poignée et la laisser revenir violemment contre le moteur. La ramener doucement pour éviter d'endommager le démarreur.

4. Si la tige de starter a été tirée jusqu'à la position FERMÉ [2] pour démarrer le moteur, poussez-la jusqu'à la position OUVERT [3] dès que le moteur est suffisamment chaud pour tourner à un régime régulier.
5. Le régime de ce modèle de moteur est pré-réglé.

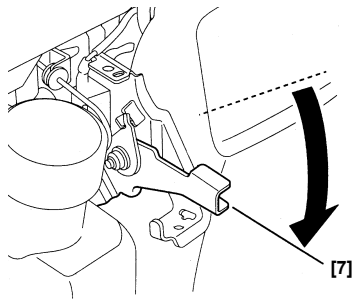
Démarrage du moteur chaud

Suite à une panne d'essence du moteur, tirer la tige de starter jusqu'à sa position FERMÉ [2] après avoir refait le plein. Sinon, laisser la tige de starter en position OUVERT [3].

1. Tirer légèrement la poignée du démarreur jusqu'à rencontrer une résistance, puis tirer vigoureusement.
2. Si la tige de starter a été tirée jusqu'à la position FERMÉ [2] pour le démarrage, poussez-la jusqu'à la position OUVERT [3] dès que le moteur a démarré.

Arrêt du moteur

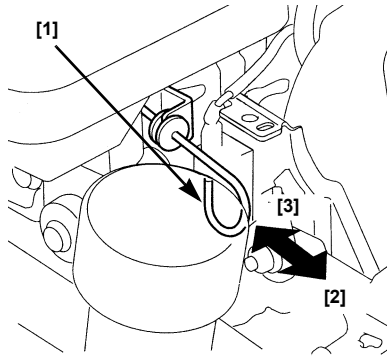
Amener le levier de contact d'allumage (rouge) en position d'ARRÊT [7].



TYPE 3 : CARBURATEUR PRÉRÉGLÉ / BOUTON D'ARRÊT MOTEUR / STARTER MANUEL

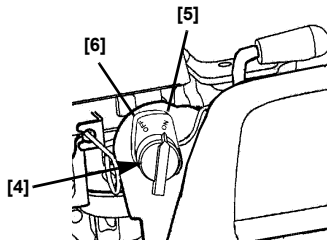
Démarrage du moteur froid

1. Tirer la tige de starter [1] jusqu'à sa position FERMÉ [2].

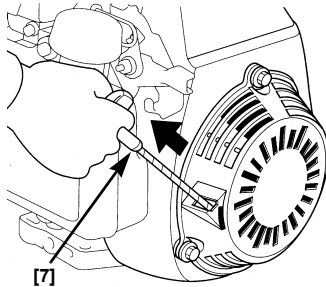


2. Amener le bouton d'arrêt du moteur [4] en position de MARCHE [5].

Certaines applications du moteur comportent un interrupteur d'allumage monté à distance plutôt que le bouton d'arrêt du moteur montré ici.



3. Tirer légèrement la poignée du démarreur [7] jusqu'à rencontrer une résistance, puis tirer vigoureusement.



AVIS

Ne pas lâcher la poignée et la laisser revenir violemment contre le moteur. La ramener doucement pour éviter d'endommager le démarreur.

4. Si la tige de starter [1] a été tirée jusqu'à la position FERMÉ [2] pour démarrer le moteur, poussez-la jusqu'à la position OUVERT [3] dès que le moteur est suffisamment chaud pour tourner à un régime régulier.
5. Le régime de ce modèle de moteur est préréglé.

Démarrage du moteur chaud

Suite à une panne d'essence du moteur, tirer la tige de starter jusqu'à sa position FERMÉ [2] après avoir refait le plein. Sinon, laisser la tige de starter en position OUVERT [3].

1. Tirer légèrement la poignée du démarreur [7] jusqu'à rencontrer une résistance, puis tirer vigoureusement.
2. Si la tige de starter [1] a été tirée jusqu'à la position FERMÉ [2] pour le démarrage, poussez-la jusqu'à la position OUVERT [3] dès que le moteur a démarré.

Arrêt du moteur

Mettre le bouton d'arrêt du moteur en position d'ARRÊT [6].

SYSTÈME OIL ALERT®

Le système Oil Alert est conçu pour empêcher les dommages du moteur causés par un niveau d'huile insuffisant dans carter. Avant que le niveau d'huile du carter passe sous une limite admissible, le système Oil Alert arrête automatiquement le moteur [le levier de papillon (levier de contact) reste dans une position de marche].

Si le moteur s'arrête et ne redémarre pas, contrôler le niveau d'huile moteur (page 5) avant de chercher d'autres causes de panne possibles.

ENTRETIEN DU MOTEUR

L'IMPORTANCE DE L'ENTRETIEN

Le bon entretien du moteur est une condition essentielle à un fonctionnement sûr, économique et sans problème. Il permet également de réduire la pollution.

⚠ AVERTISSEMENT

Un entretien inadéquat ou l'existence de problèmes non résolus avant la mise en marche peuvent entraîner un mauvais fonctionnement pouvant présenter un danger de blessure grave ou de mort.

Veiller à toujours respecter les conseils de contrôle et d'entretien ainsi que le calendrier d'entretien figurant dans ce manuel.

Les pages qui suivent comprennent un calendrier d'entretien, des procédures de contrôles périodiques et des procédures d'entretien simples ne nécessitant qu'un outillage de base. D'autres opérations d'entretien plus difficiles, ou nécessitant des outils spéciaux, sont à confier préférentiellement à des professionnels et sont normalement effectuées par un technicien Honda ou autre mécanicien qualifié.

Le calendrier d'entretien s'applique pour des conditions d'exploitation normales. Si le moteur est utilisé dans des conditions sévères, notamment forte charge continue ou température élevée ou dans un milieu particulièrement humide ou poussiéreux, obtenir des conseils adaptés aux besoins et à l'emploi particulier du moteur auprès du concessionnaire.

MESURES DE SÉCURITÉ CONCERNANT L'ENTRETIEN

Les mesures de sécurité qui suivent sont extrêmement importantes. Toutefois, il n'est pas possible de mettre en garde contre tous les risques potentiellement associés aux opérations d'entretien. Seul l'utilisateur peut décider ou non d'effectuer une tâche particulière.

⚠ AVERTISSEMENT

Pour écarter les dangers de mort ou de blessure grave, veiller à bien respecter les mesures de précaution et les instructions d'entretien.

Toujours respecter les procédures et mesures de précaution figurant dans ce manuel.

MESURES DE PRÉCAUTION

- S'assurer que le moteur est arrêté avant de débuter toute opération d'entretien ou de réparation. Ceci élimine plusieurs dangers potentiels :
 - Intoxication au monoxyde de carbone de l'échappement.**
Vérifier que la ventilation est suffisante pour faire fonctionner le moteur.
 - Brûlures sur les pièces chaudes.**
Laisser le moteur et l'échappement refroidir avant de les toucher.
 - Blessures dues aux pièces en mouvement.**
Sauf instruction contraire, ne pas faire tourner le moteur.
- Lire les instructions avant de débuter et veiller à avoir l'outillage et les compétences requis.
- Pour réduire le risque d'incendie ou d'explosion, faire preuve de prudence en travaillant au voisinage de l'essence. Nettoyer les pièces avec un solvant ininflammable, pas de l'essence. Tenir les cigarettes, étincelles et flammes nues à l'écart de toutes les pièces au contact avec l'essence.

Garder à l'esprit qu'un concessionnaire Honda agréé connaît très bien le moteur et est entièrement équipé pour son entretien et sa réparation.

Pour assurer une qualité et une fiabilité optimales, toujours utiliser des pièces Honda d'origine ou leurs équivalents pour les réparations et l'entretien.

CALENDRIER D'ENTRETIEN

Élément (1)	Action	Chaque utilisation ou 5 h	Premier mois ou 5 h	Chaque saison		Toutes les 100 h	Toutes les 150 h	Page	
				ou 25 h	ou 50 h				
Huile moteur	Contrôler	○						5	
	Vidanger		○		○ (3)			6	
Filtre à air	Contrôler	○			○			6	
	Nettoyer			○ (2)					
Bougie	Changer						○ (200 h)	6	
	Contrôler-Régler				○				
Pare-étincelles	Nettoyer					○		7	
Régime de ralenti	Régler						○ (4)	Manuel de réparation	
Réservoir et filtre à essence	Contrôler					○ (4)		Manuel de réparation	
Conduite d'essence	Contrôler	Tous les 2 ans (2)							Manuel de réparation
Jeu des soupapes	Contrôler-Régler					○ (4)		Manuel de réparation	
Chambre de combustion	Nettoyer	Toutes les 250 heures (4)							Manuel de réparation

- En cas d'utilisation commerciale, tenir un registre des durées d'utilisation pour déterminer les intervalles d'entretien appropriés.
 - Dans les milieux poussiéreux, effectuer un entretien plus fréquent.
 - En cas d'utilisation sous forte charge ou à une température ambiante élevée, effectuer une vidange d'huile toutes les 25 heures.
 - Ces opérations d'entretien sont à confier à un concessionnaire Honda agréé, à moins d'avoir l'outillage et les compétences mécaniques requis. Se reporter aux procédures d'entretien figurant dans le manuel de réparation.
- * Voir le mode d'emploi du matériel entraîné ou le manuel de réparation moteur Honda.

REPLISSAGE DU RÉSERVOIR D'ESSENCE

Utiliser de l'essence sans plomb d'un indice d'octane de 86 ou plus. Ce moteur est certifié pour fonctionner à l'essence sans plomb. L'essence sans plomb produit moins de dépôts dans le moteur et sur la bougie et prolonge la durée de service de l'échappement.

⚠ AVERTISSEMENT

L'essence est hautement inflammable et explosive et le remplissage du réservoir présente un risque de brûlure ou de blessure grave.

- Arrêter le moteur et tenir la chaleur, les étincelles et les flammes à l'écart.
- Remplir le réservoir à l'extérieur uniquement.
- Essuyer immédiatement les déversements.

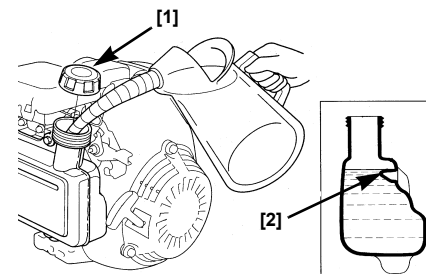
AVIS

L'essence peut endommager la peinture et certains plastiques. Prendre garde à ne pas renverser d'essence en remplissant le réservoir. Les dommages causés par les déversements d'essence ne sont pas couverts par la Garantie du moteur.

Ne jamais utiliser d'essence viciée ou contaminée ni de mélange huile-essence. Éviter d'introduire de la saleté ou de l'eau dans le réservoir.

Remplissage du réservoir

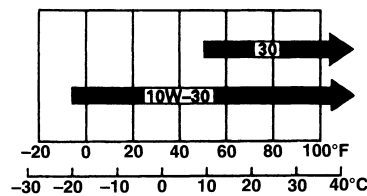
- Enlever le bouchon d'essence [1].
- Verser l'essence jusqu'au bas de la limite de niveau d'essence [2] dans le col du réservoir. Ne pas trop remplir. Essuyer l'essence renversée avant de démarrer le moteur.



HUILE MOTEUR

Huile conseillée

Utiliser une huile moteur 4 temps conforme ou supérieure aux exigences de la classe de service API SH, SJ ou équivalent. Toujours consulter l'étiquette API sur le bidon d'huile pour s'assurer qu'elle comporte les codes SH, SJ ou équivalent.

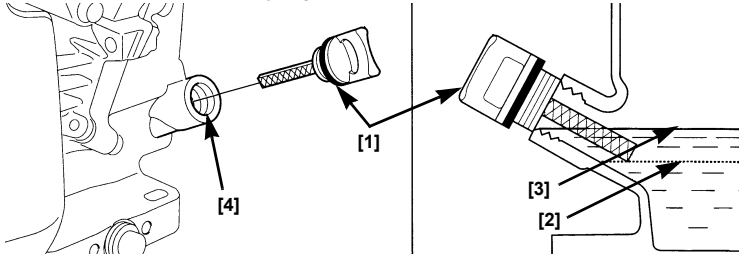


L'huile SAE 10W-30 est conseillée pour les emplois courants. Les autres viscosités préconisées dans le graphique sont à utiliser lorsque la température ambiante moyenne est dans la plage indiquée.

Contrôle du niveau d'huile

- Vérifier l'huile avec le moteur arrêté et horizontal.
- Ouvrir le bouchon-jauge d'huile [1] et l'essuyer.
- Introduire le bouchon-jauge d'huile [1] dans le col de remplissage d'huile comme sur l'illustration, mais ne pas le visser, puis l'extraire pour contrôler le niveau d'huile.
- Si le niveau d'huile est proche ou en dessous du repère de limite inférieure [2] sur la jauge, enlever le bouchon d'huile et remplir avec l'huile conseillée jusqu'au repère supérieur [3]. Ne pas trop remplir.

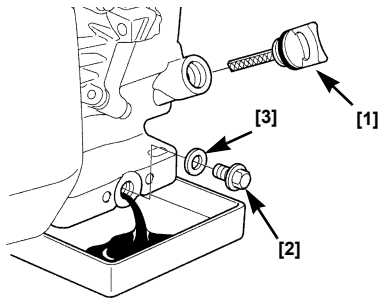
5. Remettre le bouchon-jauge d'huile [1] en place.



Vidange d'huile

Vidanger l'huile moteur lorsque le moteur est chaud. L'huile chaude s'écoule plus rapidement et complètement.

1. Placer un récipient approprié à côté du moteur pour recueillir l'huile usagée.
2. Enlever le bouchon-jauge d'huile [1] et le bouchon de vidange d'huile [2].
3. Laisser l'huile usagée se vidanger complètement puis remettre le bouchon [2] et la rondelle [3] en place. Bien serrer le bouchon de vidange.



Éliminer l'huile moteur usagée de façon compatible avec la protection de l'environnement. Nous conseillons de porter l'huile usagée, dans un récipient hermétique, au centre de recyclage local ou à une station service. Ne pas jeter aux ordures ni verser sur le sol ou avec les eaux usées.

4. Le moteur étant en position horizontale, le remplir avec l'huile conseillée jusqu'au repère de limite supérieure (bord inférieur de l'orifice de remplissage [4]) sur le bouchon-jauge d'huile [1].

AVIS

Faire tourner le moteur avec un niveau d'huile insuffisant peut l'endommager.

5. Bien remettre le bouchon-jauge d'huile [1] en place.

FILTRE À AIR

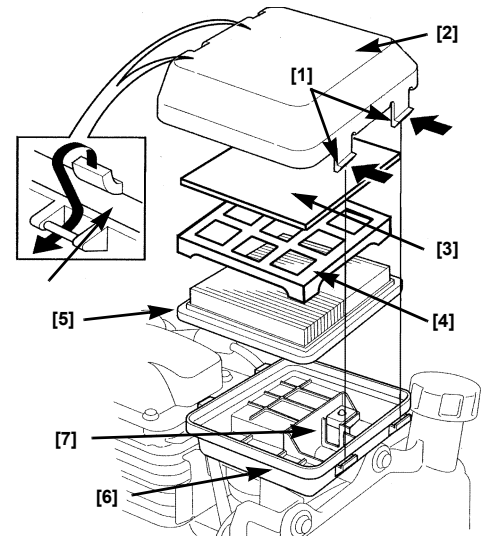
Un filtre à air sale restreint le débit d'air vers le carburateur et cause un mauvais fonctionnement du moteur. Contrôler le filtre à chaque utilisation du moteur. Le filtre doit être nettoyé plus fréquemment si le moteur est utilisé dans des milieux très poussiéreux.

AVIS

L'utilisation du moteur sans élément filtrant ou avec un élément endommagé permet à la poussière de pénétrer dans le moteur, ce qui cause une usure plus rapide. Ce type de dommage n'est pas couvert par la Garantie du moteur.

Contrôle

1. Appuyer sur les languettes de fixation [1] au sommet du capot du filtre à air et déposer le capot [2].
2. Enlever l'élément en mousse [3] du capot du filtre à air.
3. Enlever la grille [4] de l'élément en papier.
4. Contrôler la propreté et l'état des deux éléments.
5. Remettre la grille en place sur l'élément en papier. S'assurer que la grille entoure complètement les plis du papier.
6. Remettre l'élément en mousse en place dans le capot du filtre.
7. Poser l'élément en papier avec la grille dans le corps du filtre à air et mettre le capot en place.



Nettoyage

1. Tapoter l'élément filtrant [5] plusieurs fois sur une surface dure pour éliminer la saleté ou le passer à l'air comprimé (sans dépasser 207 kPa / 2,1 kg/cm² / 30 psi) depuis le côté propre, celui qui fait face au moteur. Ne jamais tenter de nettoyer la saleté à la brosse. Le brossage incruste la saleté dans les fibres.
2. Élément en mousse [3]: Laver l'élément dans une solution d'eau chaude et de détergent ménager puis rincer abondamment ou le laver dans un solvant ininflammable ou à point d'éclair élevé. Bien laisser sécher l'élément. Tremper l'élément dans de l'huile moteur propre et presser l'excès d'huile. Un excès d'huile dans la mousse peut faire fumer le moteur au démarrage ou saturer l'élément en papier et empêcher le bon fonctionnement du moteur.
3. Essuyer la saleté du corps [6] et du capot de filtre à air avec un chiffon humide. Prendre garde à empêcher la saleté d'entrer dans le conduit d'air [7] du carburateur.

BOUGIE

Bougie conseillée : NGK BPR6ES

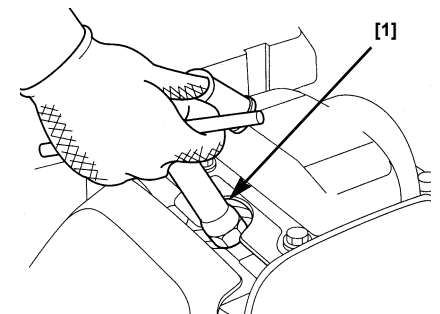
La bougie conseillée a une gamme thermique qui convient pour les températures normales de fonctionnement du moteur.

AVIS

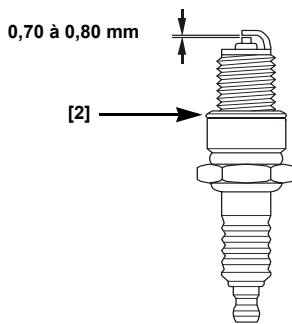
Des bougies inadaptées peuvent endommager le moteur.

Pour bien fonctionner, la bougie doit être propre et présenter un écartement correct.

1. Débrancher le capuchon de bougie et éliminer toute la saleté au voisinage de la bougie.
2. Déposer la bougie à l'aide d'une clé à bougie [1] de taille correcte.



3. Contrôler la bougie. La changer si elle est endommagée, très encrassée, si la rondelle d'étanchéité est en mauvais état ou si l'électrode est usée. Si la bougie doit être réutilisée, la nettoyer avec une brosse métallique.
4. Mesure l'écartement des électrodes avec une jauge d'épaisseur. L'écartement correct est de 0,70 à 0,80 mm (0,028 à 0,031 pouce). Si un ajustement est nécessaire, corriger l'écartement avec précaution en courbant l'électrode latérale.
5. Revisser la bougie avec précaution, à la main, pour éviter de fausser le filetage.
6. Une fois la bougie en place, la serrer avec une clé à bougie [1] de taille correcte pour comprimer la rondelle [2].
7. Lors de la pose d'une bougie neuve, serrer de 1/2 tour une fois qu'elle est au fond du filet pour comprimer la rondelle [2].
8. Lors de la réutilisation de la bougie d'origine, serrer de 1/8 à 1/4 de tour une fois qu'elle est au fond du filet pour comprimer la rondelle.



AVIS

Serrer correctement la bougie. Une bougie mal serrée peut chauffer fortement et endommager le moteur. Un serrage excessif de la bougie peut endommager le taraudage de la culasse.

9. Poser le capuchon de bougie sur la bougie.

PARE-ÉTINCELLES (équipement facultatif)

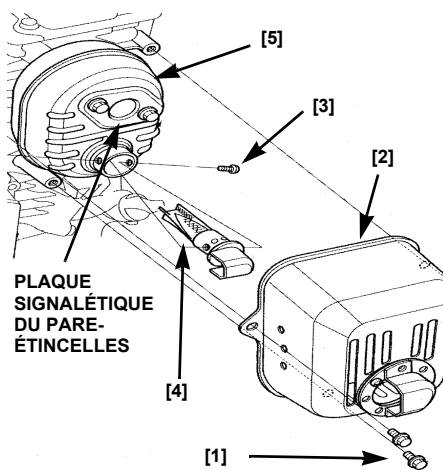
Dans certaines régions, il est interdit de faire fonctionner un moteur sans un pare-étincelles. Consulter la réglementation en vigueur. Le pare-étincelles est disponible auprès de toute concessionnaire Honda.

Pour assurer son bon fonctionnement, le pare-étincelles doit faire l'objet d'un entretien toutes les 100 heures.

Après la marche du moteur, le silencieux est chaud. Le laisser refroidir avant d'intervenir sur le pare-étincelles.

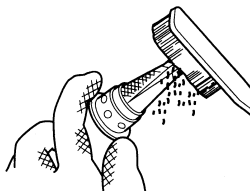
Dépose du pare-étincelles

1. Déposer les trois vis de 6 mm [1] du capot de silencieux [2] et déposer le capot de silencieux.
2. Déposer les deux vis spéciales [3] du pare-étincelles [4] puis déposer le pare-étincelles du silencieux [5].



Nettoyage et contrôle du pare-étincelles

1. À l'aide d'une brosse, éliminer les dépôts de carbone du grillage du pare-étincelles. Prendre garde à ne pas endommager le grillage. Changer le pare-étincelles s'il est fissuré ou percé.
2. Remonter le pare-étincelle dans l'ordre inverse de la dépose.



CONSEILS PRATIQUES ET SUGGESTIONS

STOCKAGE DU MOTEUR

Préparation au stockage

Une préparation correcte au stockage est essentielle au maintien du moteur en bon état. Les mesures qui suivent aideront à empêcher la rouille et la corrosion de compromettre le fonctionnement et l'apparence du moteur et permettront un démarrage plus facile lors de la remise en service.

Nettoyage

Si le moteur a fonctionné, le laisser refroidir pendant au moins une demi-heure avant de le nettoyer. Nettoyer toutes les surfaces externes, retoucher la peinture endommagée et enduire d'une fine pellicule d'huile toutes les surfaces susceptibles de rouiller.

AVIS

L'emploi d'un tuyau d'arrosage ou d'un nettoyeur haute pression peut faire pénétrer de l'eau dans le filtre à air ou le silencieux. Dans le filtre à air, l'eau peut imbibier l'élément filtrant et l'eau pénétrant dans le filtre à air ou le silencieux peut parvenir jusqu'au cylindre et causer des dommages.

Essence

L'essence s'oxyde et se détériore durant le stockage. Une essence détériorée cause des problèmes de démarrage et laisse un dépôt gommeux qui obstrue le circuit d'essence. Si l'essence du moteur s'est détériorée durant le stockage, il peut être nécessaire d'effectuer l'entretien du carburateur et d'autres éléments du circuit d'essence ou de les changer.

La durée pendant laquelle l'essence peut être conservée dans le réservoir et le carburateur sans causer de problème de fonctionnement dépend de facteurs tels que le mélange d'essence, la température de stockage et le niveau de remplissage du réservoir d'essence. L'air présent dans un réservoir partiellement plein favorise la détérioration de l'essence. Les températures de stockage élevées accélèrent la détérioration de l'essence. Les problèmes d'essence peuvent se produire au bout de quelques mois, voire moins si l'essence n'est pas fraîche au moment du remplissage du réservoir.

Les dommages du circuit d'essence ou les problèmes de marche du moteur résultant d'une mauvaise préparation au stockage ne sont pas couverts par la *Garantie du moteur*.

Il est possible d'étendre la durée de conservation de l'essence par l'ajout d'un stabilisateur d'essence, conçu à cette fin, ou d'éviter les problèmes de détérioration en vidangeant le réservoir d'essence et le carburateur.

AJOUT DE STABILISATEUR POUR PROLONGER LA DURÉE DE CONSERVATION DE L'ESSENCE

Lors de l'ajout de stabilisateur d'essence, remplir le réservoir d'essence fraîche. Si le réservoir n'est que partiellement plein, l'air présent favorisera la détérioration de l'essence durant le stockage. Si l'essence utilisée provient d'un bidon, s'assurer qu'elle est fraîche.

1. Verser le stabilisateur d'essence conformément aux instructions du fabricant.
2. Après avoir ajouté le stabilisateur, faire tourner le moteur à l'extérieur pendant 10 minutes pour s'assurer que l'essence non traitée est remplacée par l'essence traitée dans le carburateur.
3. Arrêter le moteur et mettre le robinet d'essence en position FERMÉ (voir page 3).

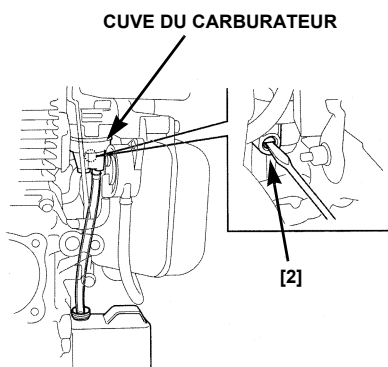
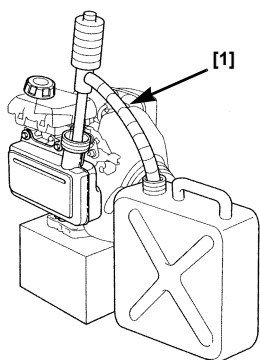
VIDANGE DU RÉSERVOIR D'ESSENCE ET DU CARBURATEUR

⚠ AVERTISSEMENT

L'essence est hautement inflammable et explosive et sa manipulation présente un risque de brûlure ou de blessure grave.

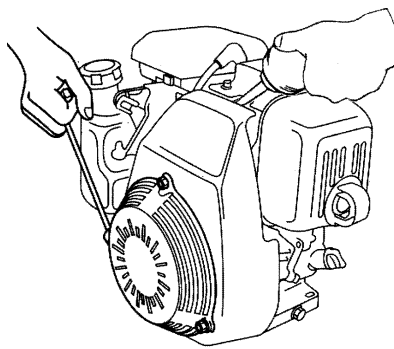
- Arrêter le moteur et tenir la chaleur, les étincelles et les flammes à l'écart.
- Remplir le réservoir à l'extérieur uniquement.
- Essuyer immédiatement les déversements.

1. Utiliser une pompe siphon [1] (disponible dans le commerce) et siphonner l'essence du réservoir dans un récipient d'essence adapté.
2. Placer un récipient d'essence adapté sous le carburateur et utiliser un entonnoir pour éviter les déversements accidentels.
3. Desserrer la vis de vidange du carburateur [2] et vidanger le carburateur dans un récipient d'essence adapté. Une fois la vidange terminée, resserrer la vis de vidange du carburateur.



Huile moteur

1. Vidanger l'huile moteur (voir page 6).
2. Déposer la bougie (voir page 6).
3. Verser 5 à 10 cc d'huile moteur propre dans le cylindre.
4. Tirer plusieurs fois sur le démarreur à enrouleur pour distribuer l'huile.
5. Remettre la bougie en place.



Mesures de précaution pour le stockage

Si le moteur doit être stocké avec de l'essence dans le moteur et le carburateur, il importe de réduire le risque d'inflammation des vapeurs d'essence. Choisir une zone de stockage bien ventilée à l'écart de tout appareil fonctionnant avec une flamme, notamment chaudière, chauffe-eau ou sèche-linge. Éviter également toute zone où sont utilisés des moteurs électriques produisant des étincelles ou autre outillage électrique.

Autant que possible, éviter les zones de stockage fortement humides susceptibles de favoriser la rouille et la corrosion.

Si le réservoir contient de l'essence, laisser le robinet d'essence en position FERMÉ (voir page 3).

Stocker le moteur en position horizontale. L'inclinaison peut causer des fuites d'essence ou d'huile.

Lorsque le moteur est froid, y compris son système d'échappement, le couvrir pour le protéger de la poussière. Un moteur ou un pot d'échappement chauds peuvent enflammer ou faire fondre certains matériaux. Ne pas couvrir avec une bâche en plastique. Une

couverture non poreuse piégera l'humidité autour du moteur, favorisant la rouille et la corrosion.

Remise en service après stockage

Effectuer les contrôles du moteur figurant dans la section *CONTRÔLES AVANT UTILISATION* de ce manuel (voir page 2).

Si l'essence a été vidangée avant le stockage, remplir le réservoir d'essence fraîche. Si l'essence utilisée provient d'un bidon, s'assurer qu'elle est fraîche. L'essence s'oxyde et se détériore avec le temps, causant des démarrages difficiles.

Si le cylindre a été enduit d'huile avant le stockage, le moteur fumera quelques instants au démarrage. Ceci est normal.

TRANSPORT

Pour réduire le risque de fuite d'essence, maintenir le moteur horizontal durant le transport.

RÉGLER DES PROBLÈMES IMPRÉVUS

LE MOTEUR NE DÉMARRE PAS	Cause possible	Correction
1. Contrôler la position des commandes.	Starter ouvert.	Tirer le starter jusqu'à sa position FERMÉ sauf si le moteur est chaud.
	Contact d'allumage en position ARRÊT.	<ul style="list-style-type: none"> • Mettre le levier de papillon en position lent ou RAPIDE (p. 3). • Mettre le levier de contact d'allumage en position MARCHÉ (p. 3). • Mettre le bouton d'arrêt du moteur en position MARCHÉ (p. 4).
2. Contrôler le niveau d'huile moteur.	Niveau d'huile moteur bas (modèles Oil Alert).	Remplir avec l'huile conseillée jusqu'au niveau correct (p. 5).
3. Contrôler l'essence.	Panne d'essence.	Refaire le plein.
	Essence viciée ; moteur stocké sans traiter ni vidanger l'essence ou rempli avec de l'essence viciée.	Vidanger le réservoir d'essence et le carburateur (p. 8). Remplir d'essence fraîche.
4. Déposer et contrôler la bougie.	Bougie défectueuse, encrassée ou mal réglée.	Changer la bougie (p. 6).
	Bougie mouillée à l'essence (moteur noyé).	Sécher la bougie et la remettre en place. Démarrer le moteur avec le levier de starter/papillon en position RAPIDE.
5. Apporter le moteur à un concessionnaire Honda ou consulter le manuel de réparation.	Filtre à essence obstrué, mauvais fonctionnement du carburateur, problème d'allumage, soupapes grippées, etc.	Changer ou réparer les éléments défectueux.

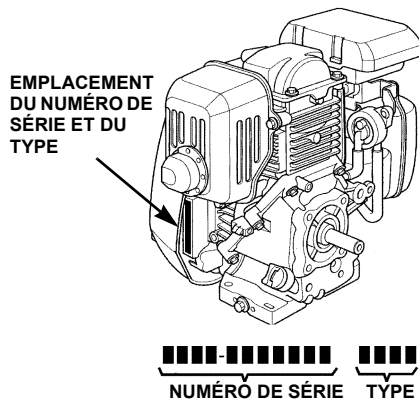
LE MOTEUR MANQUE DE PUISSANCE	Cause possible	Correction
1. Contrôler le filtre à air.	Filtre obstrué.	Nettoyer ou changer le filtre (p. 6).
2. Contrôler l'essence.	Essence viciée ; moteur stocké sans traiter ni vidanger l'essence ou rempli avec de l'essence viciée.	Vidanger le réservoir d'essence et le carburateur (p. 8). Remplir d'essence fraîche.
3. Apporter le moteur à un concessionnaire Honda ou consulter le manuel de réparation.	Filtre à essence obstrué, mauvais fonctionnement du carburateur, problème d'allumage, soupapes grippées, etc.	Changer ou réparer les éléments défectueux.

INFORMATIONS TECHNIQUES ET AU CLIENT

INFORMATIONS TECHNIQUES

Emplacement du numéro de série et du type

Noter le numéro de série du moteur et le type dans l'espace ci-dessous. Cette information est nécessaire pour la commande de pièces, les demandes techniques ou le recours à la garantie.



Numéro de série du moteur : _____ - _____

Type du moteur : _____

Modifications du carburateur pour l'utilisation à haute altitude

À haute altitude, le mélange air-essence du carburateur standard est trop riche. Le rendement baisse et la consommation d'essence augmente. Un mélange très riche peut également encrasser la bougie et causer des problèmes de démarrage. L'utilisation pendant des périodes prolongées à une altitude autre que celle pour laquelle le moteur est homologué peut accroître les émissions.

Le fonctionnement à haute altitude peut être amélioré par modification du carburateur. Si l'appareil doit toujours être utilisé à des altitudes supérieures à 1 500 mètres (5 000 pieds), faire effectuer cette modification du carburateur par le revendeur. Lorsqu'il est utilisé en altitude avec un carburateur modifié pour la haute altitude, ce moteur se conforme à toutes les normes d'émissions pendant toute sa durée de service.

Même avec un carburateur modifié, la puissance du moteur diminue d'environ 3,5% pour chaque élévation supplémentaire de 300 mètres (1 000 pieds). L'effet de l'altitude sur la puissance est encore plus important avec un carburateur non modifié.

AVIS

Lorsque le carburateur a été modifié pour une utilisation à haute altitude, le mélange air-essence est trop pauvre pour les basses altitudes. L'utilisation à des altitudes inférieures à 1 500 mètres (5 000 pieds) avec un carburateur modifié peut causer une surchauffe et des dommages importants du moteur. Pour les emplois à basse altitude, faire remettre le carburateur dans son état d'origine par le revendeur.

Essences oxygénées

Certaines essences traditionnelles sont additionnées d'alcool ou d'un composé étheré. Ces essences, dans leur ensemble, sont appelées essences oxygénées. Les essences oxygénées sont utilisées dans certaines régions des États-Unis ou du Canada pour réduire les émissions et se conformer aux normes de pollution.

En cas d'emploi d'essence oxygénée, s'assurer qu'elle est sans plomb et qu'elle présente l'indice d'octane minimum requis.

Avant d'utiliser de l'essence oxygénée, essayer de vérifier sa composition. Certains états ou provinces imposent l'affichage de ces renseignements sur la pompe.

Les teneurs en composés oxygénés suivantes sont agréées par l'EPA :

- ÉTHANOL** — (alcool éthylique) 10% en volume
Il est possible d'utiliser de l'essence contenant jusqu'à 10% d'éthanol en volume. L'essence contenant de l'éthanol peut être commercialisée sous le nom Gasohol.
- MTBE** — (éther méthylique du tert-butanol) 15% en volume
Il est possible d'utiliser de l'essence contenant jusqu'à 15% de MTBE en volume.
- MÉTHANOL** — (alcool méthylique) 5% en volume
Il est possible d'utiliser de l'essence contenant jusqu'à 5% de méthanol en volume à condition qu'elle contienne aussi des cosolvants et inhibiteurs de corrosion pour protéger le circuit d'essence. L'essence contenant plus de 5% de méthanol en volume peut causer des problèmes de démarrage et de fonctionnement. Elle peut également endommager les pièces en métal, en caoutchouc et en plastique du circuit d'essence.

En cas de symptômes indésirables durant la marche du moteur, changer de station-service ou de marque d'essence.

Les dommages du circuit d'essence ou les problèmes de fonctionnement résultant de l'emploi d'essences oxygénées dont la teneur en composés oxygénés est supérieure aux valeurs indiquées ci-dessus ne sont pas couverts par la *Garantie du moteur*.

Caractéristiques – GS160

Longueur x Largeur x Hauteur	337 x 369 x 331 mm
Poids à vide	13,6 kg
Type de moteur	4 temps, arbre à cames en tête, monocylindre
Cylindrée [alésage x course]	160 cm ³ 64 mm x 50 mm
Puissance maximum	3,4 kW (4,6 PS) à 3 600 tr/min
Couple maximum	9,4 Nm (0,96 kg/m) à 2 500 tr/min
Capacité du réservoir d'essence	1,8 l
Consommation d'essence	1,5 l/h à 3 600 tr/min
Système de refroidissement	Air pulsé
Système d'allumage	Magnéto transistorisée
Rotation prise de force	Sens inverse des aiguilles d'une montre

Caractéristiques – GS190

Longueur x Largeur x Hauteur	345 x 369 x 331 mm
Poids à vide	13,8 kg
Type de moteur	4 temps, arbre à cames en tête, monocylindre
Cylindrée [alésage x course]	187 cm ³ 69 mm x 50 mm
Puissance maximum	3,9 kW (5,3 PS) à 3 600 tr/min
Couple maximum	11,2 Nm (1,14 kg/m) à 2 500 tr/min
Capacité du réservoir d'essence	1,8 l
Consommation d'essence	1,6 l/h à 3 600 tr/min
Système de refroidissement	Air pulsé
Système d'allumage	Magnéto transistorisée
Rotation prise de force	Sens inverse des aiguilles d'une montre

Caractéristiques de mise au point

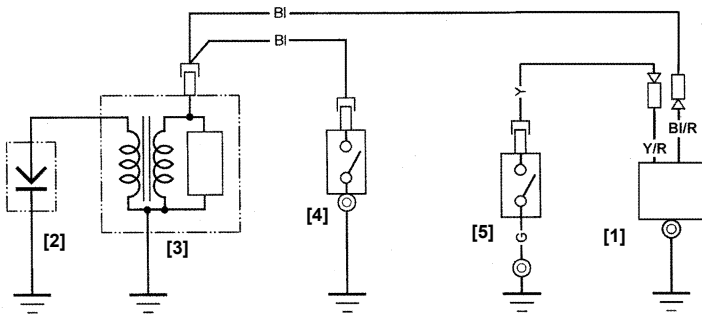
ÉLÉMENT	CARACTÉRISTIQUE	ENTRETIEN
Écartement de bougie	0,7 à 0,8 mm	Voir page 6.
Jeu des soupapes (à froid)	ADM : 0,15 ± 0,04 mm ÉCH : 0,20 ± 0,04 mm	Consulter le concessionnaire Honda
Autres caractéristiques	Aucun autre réglage requis.	

Références rapides

Essence	Type	Essence sans plomb d'un indice d'octane de 86 ou plus (page 5).
	Capacité	1,8 ℓ
Huile moteur	Type	SAE 10W-30, API SH ou SJ, pour usage général. Voir page 5.
	Capacité	0,58 ℓ
Carburateur	Régime de ralenti	1400 ± 150 tr/min
Bougie	Type	BPR6ES (NGK)
	Écartement	0,7 à 0,8 mm Voir page 6.
Entretien	Avant chaque emploi	Contrôler le niveau d'huile moteur. Voir page 5. Contrôler le filtre à air. Voir page 6.
	Premières 5 heures	Effectuer une vidange d'huile. Voir page 6.
	Par la suite	Voir le calendrier d'entretien à la page 5.

Schéma de câblage

Avec Oil Alert



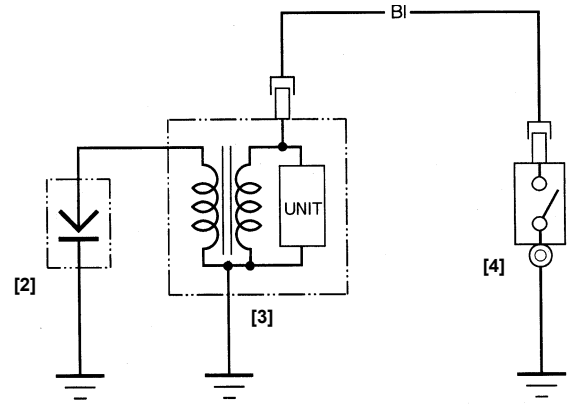
- [1] DISPOSITIF OIL ALERT
 [2] BOUGIE
 [3] BOBINE D'ALLUMAGE
 [4] CONTACT D'ALLUMAGE (normalement ouvert)
 [5] CONTACTEUR DE NIVEAU D'HUILE (normalement ouvert)

MOTEUR	POSITION DU CONTACT
MARCHE	OUVERT
ARRÊT	FERMÉ

NIVEAU D'HUILE	POSITION DU CONTACT	MOTEUR
NORMAL	OUVERT	MARCHE
BAS	FERMÉ	ARRÊT

Bl	Noir	Br	Brun
Y	Jaune	O	Orange
Bu	Bleu	Lb	Bleu pâle
G	Vert	Lg	Vert pâle
R	Rouge	P	Rose
W	Blanc	Gr	Gris

Sans Oil Alert



- [2] BOUGIE
 [3] BOBINE D'ALLUMAGE
 [4] CONTACT D'ALLUMAGE (normalement ouvert)

MOTEUR	POSITION DU CONTACT
MARCHE	OUVERT
ARRÊT	OUVERT

INFORMATION AU CLIENT

Publications Honda

Ces publications fournissent des renseignements supplémentaires pour l'entretien et la réparation du moteur. Elles peuvent être commandées auprès du concessionnaire de moteurs Honda.

Manuel de réparation	Ce manuel couvre toutes les procédures d'entretien et de remise à neuf. Il est destiné aux techniciens qualifiés.
Catalogue de pièces	Ce manuel fournit une nomenclature des pièces complète et illustrée.

INTRODUCCIÓN

Gracias por comprar un motor Honda. Queremos ayudarlo a que obtenga los mejores resultados del nuevo motor y a que lo opere con seguridad. Este manual contiene información acerca de cómo hacerlo. Léalo con atención antes de operar el motor. Si se le presenta un problema, o si tiene cualquier pregunta acerca del motor, consulte al servicio técnico de su concesionario Honda autorizado.

Toda la información de esta publicación está basada en la información más reciente sobre el producto disponible en el momento de la impresión. Honda Motor Co., Inc. se reserva el derecho a realizar cambios en cualquier momento, sin aviso previo y sin incurrir en ninguna obligación. Está prohibido reproducir cualquiera de las secciones de esta publicación sin contar con un permiso por escrito.

Este manual debe considerarse una pieza permanente del motor y debe permanecer con éste cuando se vuelva a vender.

Revise las instrucciones que vienen con el equipo propulsado por este motor para obtener cualquier información adicional acerca del arranque, apagado, operación, ajuste o cualquier otra instrucción especial de mantenimiento.

MENSAJES DE SEGURIDAD

Es muy importante garantizar su seguridad y la de los demás. Hemos proporcionado importantes mensajes de seguridad en este manual y en el motor mismo. Léalos con atención.

Los mensajes de seguridad lo alertan de peligros potenciales que puedan herirlo a usted o a los demás. Todos los mensajes de seguridad están precedidos de un símbolo de alerta de seguridad **▲** y de una de las tres palabras indicadoras, PELIGRO, ADVERTENCIA o PRECAUCIÓN.

Estas palabras indicadoras significan lo siguiente:

▲ PELIGRO

Indica que SIN DUDA MORIRÁ o sufrirá LESIONES GRAVES si no cumple con las instrucciones.

▲ ADVERTENCIA

Indica que EXISTE UNA GRAN POSIBILIDAD de que MUERA o de que sufra LESIONES GRAVES si no cumple con las instrucciones.

▲ PRECAUCIÓN

PUEDEN LESIONARSE si no cumple con las instrucciones.

Cada mensaje le dice de lo que se trata el peligro, lo que puede pasar y lo que usted puede hacer para evitar la lesión o reducirla.

MENSAJES DE PREVENCIÓN DE DAÑOS

También verá otros mensajes importantes, precedidos de la palabra AVISO.

Esta palabra significa:

AVISO

El motor u otra propiedad puede resultar dañada si no siguen las instrucciones.

El propósito de dichos mensajes es ayudarlo a prevenir los daños a su motor, a otros bienes o al medio ambiente.

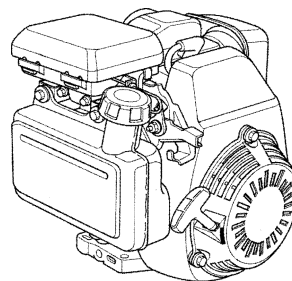
INFORMACIÓN DE SEGURIDAD

- Comprenda el funcionamiento de todos los controles y aprenda a parar el motor rápidamente en caso de emergencia. Asegúrese de que el operador reciba las instrucciones adecuadas antes de operar el equipo.
- El escape del motor contiene el peligroso monóxido de carbono. No ponga en marcha el motor sin una adecuada ventilación y nunca lo haga en interiores.
- El motor y el escape se calientan considerablemente durante su funcionamiento. Mantenga el motor por lo menos a 1 metro (3 pies) de las construcciones y de otros equipos durante la operación. Mantenga lejos los materiales inflamables y no ponga nada encima del motor mientras está en marcha.

HONDA ENGINES

MANUAL DEL USUARIO

GS160 • GS190

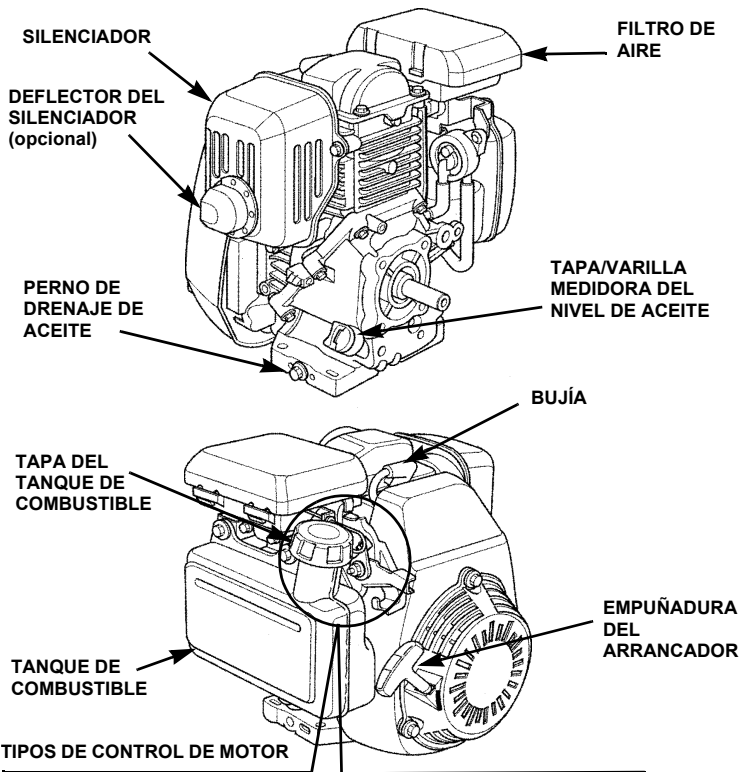


ESPAÑOL

CONTENIDOS

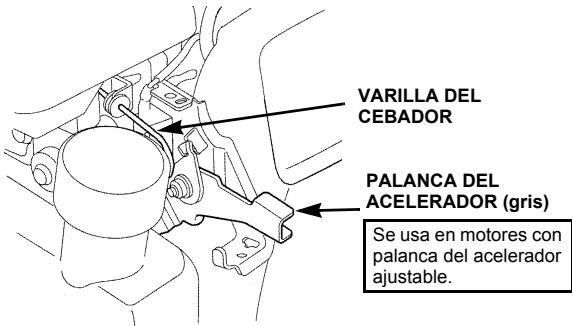
INTRODUCCIÓN	1	CONSEJOS ÚTILES Y SUGERENCIAS	7
MENSAJES DE SEGURIDAD ...	1	Almacenaje del motor	7
Mensajes de prevención de daños	1	Agregar un estabilizador para la gasolina para extender la vida de almacenaje del combustible	7
UBICACIÓN DE LOS COMPONENTES Y CONTROLES	2	Drenaje del tanque de combustible y del carburador	8
COMPROBACIONES ANTES DE LA OPERACIÓN	2	Transporte	8
¿El motor está listo para partir?	2	OCUPARSE DE PROBLEMAS INESPERADOS	8
OPERACIÓN	2	INFORMACIÓN TÉCNICA Y AL CONSUMIDOR	9
Precauciones de manejo seguro	2	Ubicación del número de serie y del tipo	9
Operación del tipo 1	3	Funcionamiento en altitud elevada	9
Operación del tipo 2	3	Combustibles oxigenados	9
Operación del tipo 3	4	Especificaciones de afinamiento	9
Sistema Oil Alert®	4	Información de referencia rápida	10
SERVICIO DEL MOTOR	4	Diagrama del cableado	10
La importancia del mantenimiento	4	INFORMACIÓN AL CONSUMIDOR	
Seguridad del mantenimiento	4	Publicaciones Honda	10
Precauciones de seguridad	4	INFORMACIÓN SOBRE LA GARANTÍA	última página
Programa de mantenimiento	5		
Reabastecimiento	5		
Recomendaciones de combustible	5		
Aceite de motor	5		
Filtro de aire	6		
Bujía	6		
Supresor de chispas	7		

UBICACIÓN DE LOS COMPONENTES Y CONTROLES

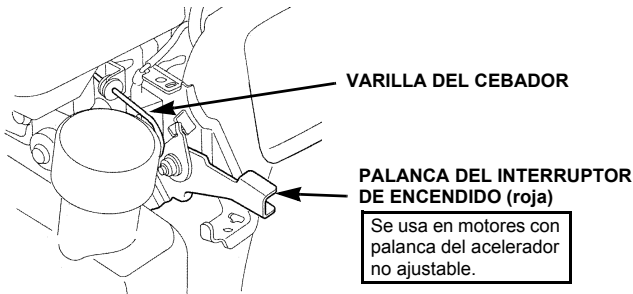


TIPOS DE CONTROL DE MOTOR

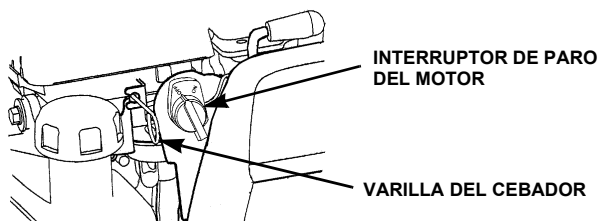
TIPO 1: ACELERADOR MANUAL / CEBADOR MANUAL



TIPO 2: ACELERACIÓN FIJA / PALANCA DEL INTERRUPTOR DE ENCENDIDO / CEBADOR MANUAL



TIPO 3: ACELERACIÓN FIJA / INTERRUPTOR DE PARO DEL MOTOR / CEBADOR MANUAL



COMPROBACIONES ANTES DE LA OPERACIÓN

¿EL MOTOR ESTÁ LISTO PARA PARTIR?

Para su seguridad y para maximizar la vida útil del equipo, es muy importante tomarse unos minutos antes de operar el motor para comprobar su condición. Asegúrese de ocuparse de cualquier problema que encuentre, o haga que el servicio técnico de su concesionario lo corrija, antes de operar el motor.

⚠ ADVERTENCIA

El mantenimiento inadecuado de este motor, o no corregir un problema antes de operarlo, puede causar una falla por la cual usted puede resultar gravemente herido o morir.

Siempre realice una inspección previa a cada operación y corrija cualquier problema.

Antes de comenzar las comprobaciones previas a la operación, asegúrese de que el motor esté nivelado y que la palanca del acelerador (palanca del interruptor de encendido o interruptor de paro del motor) esté en la posición de PARADA.

Siempre compruebe los siguientes puntos antes de arrancar el motor:

1. Nivel de combustible (consulte la página 5).
2. Nivel de aceite (consulte la página 5).

El sistema Oil Alert® (tipos de motores aplicables) parará de forma automática el motor antes de que el nivel de aceite caiga por debajo de los límites de seguridad. Sin embargo, para evitar la inconveniencia de un apagado inesperado, siempre revise el nivel de aceite del motor antes del arranque.

3. Filtro de aire (consulte la página 6).
4. Inspección general: Compruebe si hay pérdidas de combustible o piezas dañadas.
5. Compruebe el estado del equipo propulsado por este motor.

Revise las instrucciones que vienen con el equipo propulsado por este motor por si hay cualquier precaución o procedimientos que se deban seguir antes de arrancar el motor.

OPERACIÓN

PRECAUCIONES DE MANEJO SEGURO

Antes de arrancar el motor por primera vez, revise la sección *INFORMACIÓN DE SEGURIDAD* en la página 1 y las *COMPROBACIONES ANTES DE LA OPERACIÓN* arriba.

⚠ ADVERTENCIA

El gas de monóxido de carbono es tóxico. Respirarlo puede causar inconsciencia y hasta la muerte.

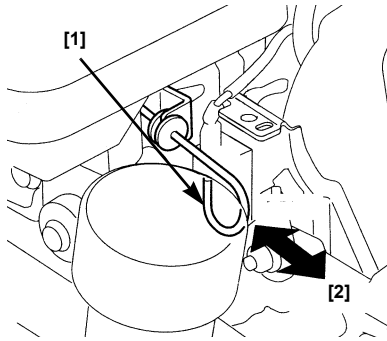
Evite toda área o acción que lo exponga al monóxido de carbono.

Revise las instrucciones que vienen con el equipo propulsado por este motor por si se debe tomar cualquier precaución de seguridad respecto del arranque, el apagado y la operación del motor.

TIPO 1: ACELERADOR MANUAL / CEBADOR MANUAL

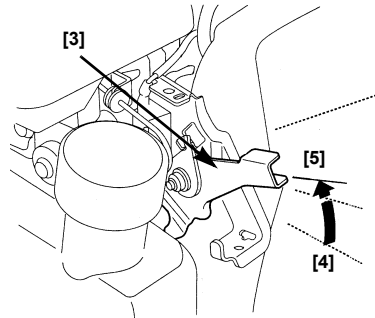
Arranque de un motor frío

1. Tire de la varilla del cebador [1] a la posición CERRADO [2].



2. Mueva la palanca del acelerador (gris) [3] alejándola de la posición LENTO [4], cerca de 1/3 del recorrido hacia la posición RÁPIDO [5].

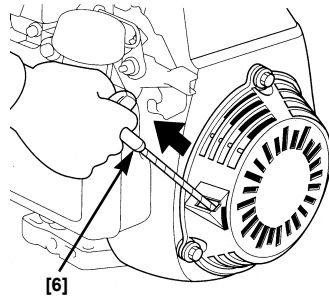
Algunas aplicaciones de motores usan un control del acelerador montado de forma remota en vez de la palanca del acelerador montada en el motor que se muestra aquí.



3. Tire suavemente de la empuñadura del arrancador [6] hasta que sienta resistencia. Entonces tire con fuerza.

AVISO

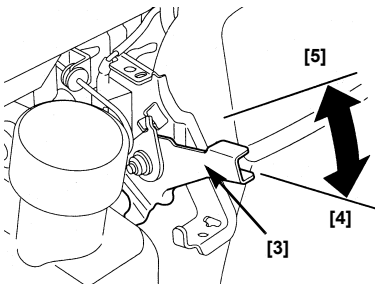
No permita que la empuñadura del arrancador se vuelva a enrollar de golpe en el motor. Regréselo suavemente para evitar daños en el motor de arranque.



4. Si la varilla del cebador se tiró hasta la posición CERRADO para arrancar el motor, empújela hasta la posición ABIERTO apenas el motor se haya calentado lo suficiente como para funcionar sin problemas.

Ajuste de la aceleración

Coloque la palanca de control del acelerador (gris) [3] en la velocidad deseada del motor. Para un mejor rendimiento del motor, se recomienda operarlo con el acelerador en la posición RÁPIDO [5] (o alto).



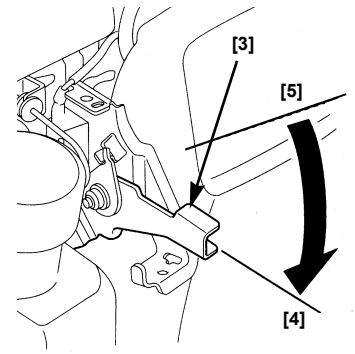
Arranque de un motor caliente

Si se le acaba el combustible al motor, tire de la varilla del cebador hasta la posición CERRADO después de reabastecerse. Si no se le ha acabado el combustible el motor, deje la varilla del cebador en la posición ABIERTO.

1. Coloque la palanca del acelerador en la posición RÁPIDO [5].
2. Tire suavemente de la empuñadura del arrancador hasta que sienta resistencia. Entonces tire con fuerza.

Parar el motor

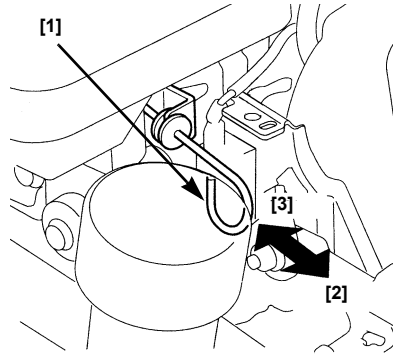
1. Mueva la palanca del acelerador (gris) a la posición LENTO [4].
2. Permita que el motor quede en ralentí por algunos segundos y luego mueva la palanca del acelerador a la posición de PARADA.



TIPO 2: ACELERACIÓN FIJA / PALANCA DEL INTERRUPTOR DE ENCENDIDO / CEBADOR MANUAL

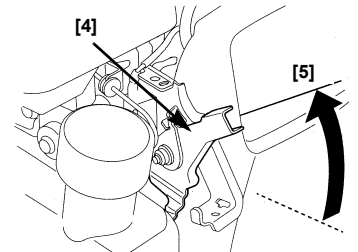
Arranque de un motor frío

1. Tire de la varilla del cebador [1] a la posición CERRADO [2].



2. Mueva la palanca del interruptor de encendido (rojo) [4] a la posición de ENCENDIDO (ON) [5].

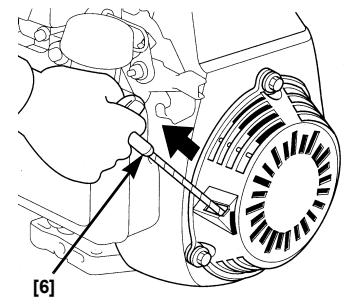
Algunas aplicaciones de motores usan un interruptor de encendido montado de forma remota en vez de uno montado en el motor como se muestra aquí.



3. Tire suavemente de la empuñadura del arrancador [6] hasta que sienta resistencia. Entonces tire con fuerza.

AVISO

No permita que la empuñadura del arrancador se vuelva a enrollar de golpe en el motor. Regréselo suavemente para evitar daños en el motor de arranque.



4. Si la varilla del cebador se tiró hasta la posición CERRADO [2] para arrancar el motor, empújela hasta la posición ABIERTO [3] apenas el motor se haya calentado lo suficiente como para funcionar sin problemas.

5. La aceleración está preajustada en este motor.

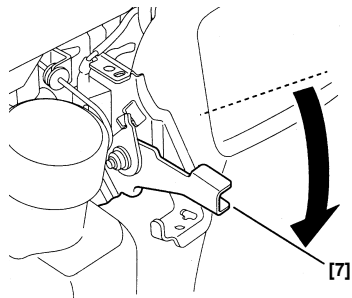
Arranque de un motor caliente

Si se le acaba el combustible al motor, tire de la varilla del cebador hasta la posición CERRADO [2] después de reabastecerse. Si no se le ha acabado el combustible el motor, deje la varilla del cebador en la posición ABIERTO [3].

1. Tire suavemente de la empuñadura del arrancador hasta que sienta resistencia. Entonces tire con fuerza.
2. Si se tiró el cebador a la posición CERRADO [2] para arrancar, empújelo a la posición ABIERTO [3] apenas arranque el motor.

Parar el motor

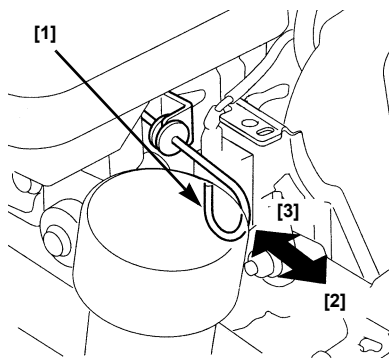
Mueva la palanca del interruptor de encendido (rojo) a la posición de APAGADO (OFF) [7].



TIPO 3: ACELERACIÓN FIJA / INTERRUPTOR DE PARO DEL MOTOR / CEBADOR MANUAL

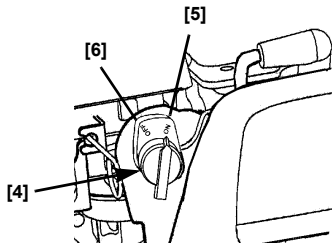
Arranque de un motor frío

1. Tire de la varilla del cebador [1] a la posición CERRADO [2].

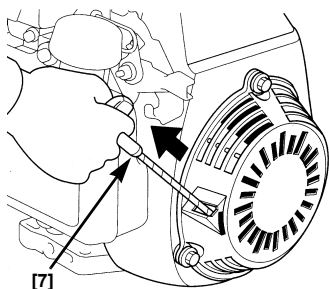


2. Mueva el interruptor de paro del motor [4] a la posición de ENCENDIDO (ON) [5].

Algunas aplicaciones de motores usan un interruptor de encendido montado de forma remota en vez del interruptor de paro del motor montado en éste que se muestra aquí.



3. Tire suavemente de la empuñadura del arrancador [7] hasta que sienta resistencia. Entonces tire con fuerza.



AVISO

No permita que la empuñadura del arrancador se vuelva a enrollar de golpe en el motor. Regréselo suavemente para evitar daños en el motor de arranque.

4. Si la varilla del cebador [1] se tiró hasta la posición CERRADO [2] para arrancar el motor, empújela hasta la posición ABIERTO [3] apenas el motor se haya calentado lo suficiente como para funcionar sin problemas.
5. La aceleración está preajustada en este motor.

Arranque de un motor caliente

Si se le acaba el combustible al motor, tire de la varilla del cebador hasta la posición CERRADO [2] después de reabastecerse. Si no se le ha acabado el combustible el motor, deje la varilla del cebador en la posición ABIERTO [3].

1. Tire suavemente de la empuñadura del arrancador [7] hasta que sienta resistencia. Entonces tire con fuerza.
2. Si se tiró de la varilla del cebador [1] a la posición CERRADO [2] para arrancar, empújela a la posición ABIERTO [3] apenas arranque el motor.

Parar el motor

Mueva el interruptor de paro del motor a la posición de APAGADO (OFF) [6].

SISTEMA OIL ALERT®

El sistema Oil Alert está diseñado para evitar el daño al motor causado por una cantidad insuficiente de aceite en la caja del cigüeñal (cárter). Antes de que el nivel de aceite en la caja del cigüeñal (cárter) pueda caer por debajo de un límite de seguridad, el sistema Oil Alert parará de forma automática el motor [la palanca del acelerador (palanca del interruptor de encendido) permanecerá en la posición de funcionamiento].

Si el motor se para y no vuelve a arrancar, revise el nivel de aceite del motor (página 5) antes de diagnosticar problemas en otras áreas.

SERVICIO DEL MOTOR

LA IMPORTANCIA DEL MANTENIMIENTO

El buen mantenimiento es fundamental para una operación segura, económica y sin problemas. También ayuda a disminuir la polución.

⚠ ADVERTENCIA

El mantenimiento inadecuado, o no corregir un problema antes de operarlo, puede causar una falla por cual usted puede resultar gravemente herido o morir.

Siempre siga las recomendaciones de inspección y mantenimiento de este manual del propietario.

Para ayudarlo a cuidar adecuadamente del motor, las siguientes páginas incluyen un programa de mantenimiento, procedimientos de inspección de rutina y procedimientos simples de mantenimiento con herramientas de mano básicas. Otras tareas de servicio más difíciles, o que requieran de herramientas especiales, se manejan mejor en manos de profesionales y las realizan normalmente técnicos de Honda y otros mecánicos calificados.

El programa de mantenimiento se aplica a condiciones normales de operación. Si opera el motor en condiciones difíciles, como una operación en constante sobrecarga o alta temperatura, o en condiciones anormalmente húmedas o polvorientas, consulte al servicio técnico de su concesionario sobre recomendaciones que se apliquen a sus necesidades y a su uso individuales.

SEGURIDAD DEL MANTENIMIENTO

A continuación se presentan algunas de las precauciones de seguridad más importantes. Sin embargo, nos es imposible advertirle acerca de todos y cada uno de los peligros posibles que pueden surgir al llevar a cabo el mantenimiento. Sólo usted puede decidir si debería o no realizar una tarea específica.

⚠ ADVERTENCIA

La falta de cumplimiento con las instrucciones y las precauciones de mantenimiento puede causarle lesiones o la muerte.

Siempre siga cuidadosamente los procedimientos y observe las precauciones contenidas en este manual del propietario.

PRECAUCIONES DE SEGURIDAD

- Asegúrese que el motor está apagado antes de comenzar cualquier mantenimiento o reparación. Esto le ayudará a eliminar varios peligros potenciales:
 - **Envenenamientos por monóxido de carbono proveniente del escape del motor.**
Cerciórese de que el lugar en el que opera esté lo suficientemente ventilado el motor.
 - **Quemaduras causadas por piezas calientes.**
Deje enfriar el motor y el sistema de escape antes de tocarlos.
 - **Lesiones provocadas por piezas en movimiento.**
No ponga en marcha el motor a menos que se le indique hacerlo.
- Lea las instrucciones antes de comenzar y asegúrese que tiene las herramientas y habilidades necesarias.
- Para reducir la posibilidad de que se produzca un incendio o una explosión, tenga cuidado cuando trabaje cerca de gasolina. Use solamente un solvente no inflamable para limpiar las piezas. No use gasolina. Mantenga todas las piezas relacionadas con el combustible fuera del alcance de los cigarrillos, las chispas y las llamas.

Recuerde que su concesionario Honda autorizado conoce mejor el motor y que está totalmente equipado para realizarle mantenimiento y repararlo.

Para asegurar la mejor calidad y confiabilidad, sólo use piezas originales Honda nuevas u otras equivalentes para la reparación y cambio.

PROGRAMA DE MANTENIMIENTO

Punto (1)	Acción	En cada uso o cada 5 h.	Primer mes o 5 h.	Cada estación		Cada 100 h.	Cada 150 h.	Página	
				o 25 h.	o 50 h.				
Aceite de motor	Revisar	○						5	
	Cambiar		○		○ (3)			6	
Filtro de aire	Revisar	○			○			6	
	Limpiar			○ (2)					
	Reemplazar					○ (200 h.)			
Bujía	Revisar-Ajustar				○			6	
	Reemplazar					○ (200 h.)			
Supresor de chispas	Limpiar					○		7	
Ralentí velocidad	Ajustar					○ (4)		Manual del taller	
Tanque y filtro de combustible	Revisar					○ (4)		Manual del taller	
Línea de combustible	Revisar		Cada 2 años (2)						Manual del taller
Holgura de la válvula	Revisar					○ (4)		Manual del taller	
	Ajustar							Manual del taller	
Cámara de combustión	Limpiar		Después de cada 250 horas (4)						Manual del taller

- (1) Para uso comercial, registre las horas de funcionamiento para determinar los intervalos de mantenimiento adecuados.
- (2) Realice el servicio con más frecuencia cuando se usa en áreas polvorientas.
- (3) Cambie el aceite del motor cada 25 horas cuando se use bajo fuerte demanda o con alta temperatura ambiental.
- (4) El servicio técnico de su concesionario Honda autorizado debe realizar el servicio a estos artículos, a menos que sea eficiente en las operaciones mecánicas y que tenga las herramientas adecuadas. Consulte el manual del taller Honda para obtener los procedimientos de servicio.

* Consulte el manual del equipo o el manual del taller del motor Honda.

REABASTECIMIENTO

Use gasolina sin plomo con un índice de octano de la bomba de 86 o mayor. Este motor está certificado para funcionar con gasolina sin plomo. Este tipo de gasolina produce menos depósitos en el motor y en las bujías además de extender la vida del sistema de escape.

⚠ ADVERTENCIA

La gasolina es altamente inflamable y explosiva y usted puede quemarse o lesionarse gravemente al reabastecer.

- Pare el motor y mantenga lejos el calor, las chispas y las llamas.
- Reabastezca sólo al aire libre.
- Limpie inmediatamente los derrames.

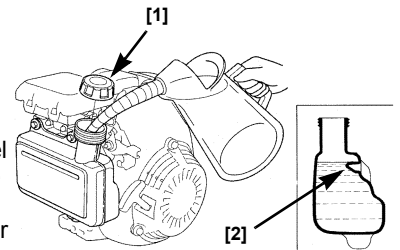
AVISO

El combustible puede dañar la pintura y algunos tipos de plástico. Tenga cuidado de no derramar combustible cuando llena el tanque. El daño causado por el combustible derramado no está cubierto por la Garantía de su motor.

Nunca use gasolina añeja, contaminada o una mezcla de aceite y gasolina. Evite que entre polvo o agua en el tanque de combustible.

Agregar combustible

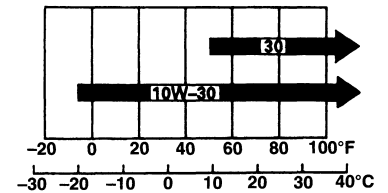
1. Quite la tapa del tanque de combustible [1].
2. Agregue combustible hasta la parte inferior del límite de nivel de combustible [2] en el tubo del tanque. No llene de más. Limpie el combustible derramado antes de arrancar el motor.



ACEITE DE MOTOR

Aceite recomendado

Use aceite para motor de 4 tiempos que cumpla o sobrepase los requisitos para la clasificación de servicio API SH, SJ o equivalente. Compruebe siempre la etiqueta de servicio API en el recipiente del aceite para asegurarse que incluye las letras SH, SJ o equivalente.

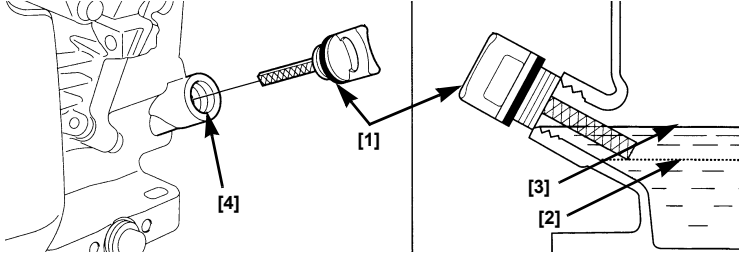


Para un uso general se recomienda SAE 10W-30. Las demás viscosidades que aparecen en la tabla pueden ser usadas cuando la temperatura promedio en el área se encuentra entre los parámetros indicados.

Revisión del nivel de aceite

1. Revise el aceite con el motor parado y nivelado.
2. Quite la tapa del depósito de aceite/varilla medidora del nivel de aceite [1] y límpiela.
3. Inserte la tapa del depósito de aceite/varilla medidora del nivel de aceite [1] en el tubo de llenado de éste como se muestra, pero no la atornille, luego quítela para revisar el nivel de aceite.
4. Si el nivel de aceite está cerca o por debajo de la marca de límite bajo [2] de la varilla medidora del nivel de aceite, quite la tapa del depósito de aceite/varilla medidora del nivel de aceite y llénelo con el aceite recomendado hasta la marca de límite superior [3]. No llene de más.

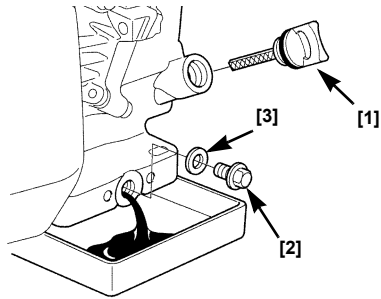
5. Vuelva a instalar la tapa/varilla medidora del nivel de aceite [1].



Cambio de aceite

Drene el aceite del motor cuando éste se encuentre caliente. El aceite caliente se drena rápida y completamente.

1. Coloque un recipiente adecuado cerca del motor para recoger el aceite usado.
2. Retire la tapa/varilla medidora del nivel de aceite [1] y el tapón de drenaje de aceite [2].
3. Permita que se drene completamente el aceite usado y luego vuelva a instalar el tapón de drenaje [2] y la junta [3]. Apriete bien el tapón de drenaje.



Elimine el aceite de motor usado de una forma que sea compatible con el medio ambiente. Le sugerimos que lleve el aceite usado en un recipiente sellado al centro de reciclaje local o estación de servicio para su recuperación. No lo tire a la basura ni vierta en el suelo o en el desagüe.

4. Con el motor en una posición nivelada, llene hasta la marca de límite alto (borde inferior del orificio de llenado de aceite [4]) de la tapa/varilla medidora del nivel de aceite [1] con el aceite recomendado.

AVISO

Poner en marcha el motor con un nivel de aceite bajo puede causar daños en el motor.

5. Vuelva a instalar bien la tapa/varilla medidora del nivel de aceite [1].

FILTRO DE AIRE

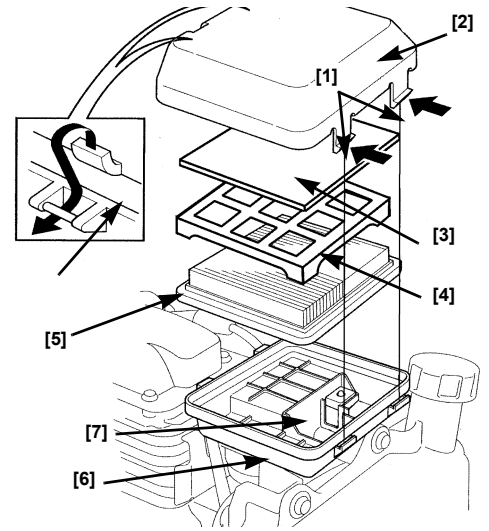
Un filtro de aire sucio restringirá el flujo de aire al carburador y causará el funcionamiento defectuoso del motor. Inspeccione el filtro cada vez que opere el motor. Necesitará limpiar con más frecuencia el filtro si usted opera el motor en áreas muy polvorientas.

AVISO

Operar el motor sin filtro o con el filtro dañado, permitirá que la suciedad entre al motor, causando un rápido desgaste de éste. Este tipo de daño no está cubierto por la Garantía de su motor.

Inspección

1. Presione las lengüetas de enganche [1] de la parte superior de la cubierta del filtro de aire [2] y quítela.
2. Retire el elemento de espuma [3] de la cubierta del limpiador de aire.
3. Retire la rejilla [4] del elemento de papel.
4. Compruebe ambos elementos para asegurarse de estén limpios y en buenas condiciones.
5. Vuelva a instalar la rejilla sobre el elemento de papel. Asegúrese de que la rejilla rodee los pliegues de papel.
6. Vuelva a instalar el elemento de espuma en la cubierta del limpiador de aire.
7. Asiente el elemento de papel y la rejilla en el cuerpo del limpiador de aire e instale la cubierta del limpiador de aire.



Limpeza

1. Golpee ligeramente el filtro [5] varias veces sobre una superficie dura para quitar la suciedad o sople aire comprimido [que no sobrepase las 207 kPa (2,1 kg/cm², 30 psi)] a través del filtro desde el lado limpio que enfrenta al motor. Nunca intente quitar la suciedad con una escobilla. El escobillado forzará la suciedad dentro de las fibras.
2. Elemento de espuma [3]: lave el elemento en una solución de detergente doméstico y agua tibia y, a continuación, aclárelo bien, o bien, lávelo en disolvente no inflamable o de temperatura de ignición muy alta. Deje que el elemento se seque bien. Impregne el elemento con aceite de motor y exprima el exceso de aceite. El motor emitirá humo durante el arranque inicial si se deja demasiado aceite en la espuma; asimismo, el aceite podría saturar el elemento de papel haciendo que el motor no funcione.
3. Limpie la suciedad del cuerpo [6] y de la cubierta del filtro de aire usando una alfombrilla húmeda. Tenga cuidado de evitar que la suciedad entre al conducto de aire [7] que lleva al carburador.

BUJÍA

Bujía recomendada: NGK BPR6ES

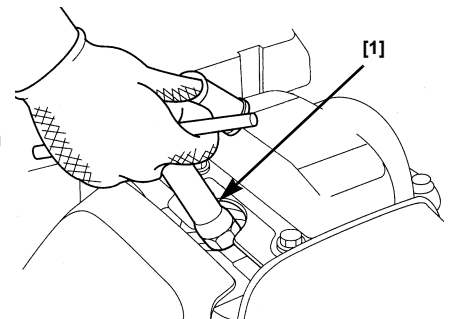
La bujía recomendada tiene la gama térmica correcta para las temperaturas normales de funcionamiento del motor.

AVISO

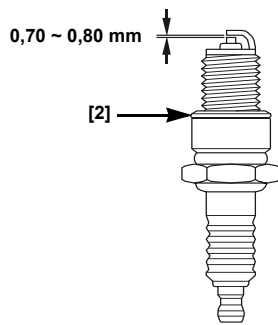
Las bujías incorrectas pueden causar daños en el motor.

Para un buen funcionamiento, la bujía debe estar adecuadamente abierta y libre de depósitos.

1. Desconecte el capuchón de la bujía y retire cualquier suciedad del área de ésta.
2. Use la llave de bujías [1] del tamaño adecuado para extraerla.



- Inspeccione la bujía. Reemplácela si está dañada, muy sucia, si la abrazadera está en mal estado o si el electrodo está desgastado. Si va a volver a usar la bujía, límpiela con un cepillo de alambre.
- Mida la separación de las puntas del electrodo con un medidor adecuado. La separación correcta es 0,70 – 0,80 mm (0,028 – 0,031 pulg.). Si es necesario un ajuste, corrija la separación doblando cuidadosamente el electrodo lateral.
- Instale la bujía cuidadosamente, a mano, para evitar un mal enrosque.
- Después que la válvula está asentada, apriétela con la llave de bujías [1] del tamaño adecuado para comprimir la junta [2].
- Cuando instale una bujía nueva, apriete 1/2 giro después que la bujía se asienta para comprimir la junta.
- Cuando vuelva a instalar la bujía original, apriete de 1/8 a 1/4 de giro después que la bujía se asienta para comprimir la junta.



AVISO

Apriete la bujía adecuadamente. Una bujía suelta puede calentarse demasiado y dañar el motor. El apriete excesivo de la bujía puede dañar las roscas en la culata.

- Coloque el capuchón de la bujía.

SUPRESOR DE CHISPAS (equipo opcional)

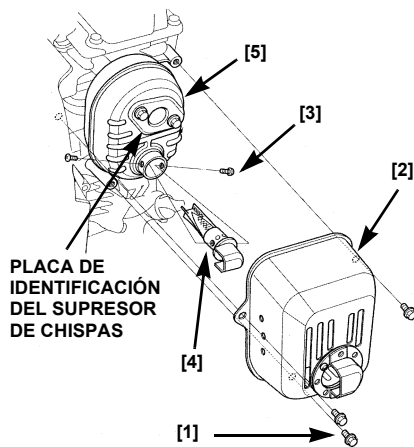
En algunas áreas, es ilegal operar un motor sin un supresor de chispas. Compruebe las leyes y reglamentos locales. Hay supresores de chispas disponibles en el servicio técnico del concesionario Honda autorizado.

Al supresor de chispas se le debe realizar el servicio cada 100 horas para mantenerlo funcionando como se diseñó.

Si el motor ha estado en marcha, el silenciador estará caliente. Deje que se enfríe antes de realizar el servicio del supresor de chispas.

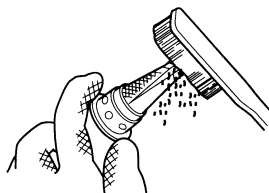
Desmontaje del supresor de chispas

- Retire los tres pernos de 6 mm [1] del protector del silenciador [2] y extraiga el protector.
- Retire los dos tornillos especiales [3] del supresor de chispas [4] y extraígalos del silenciador [5].



Limpieza e inspección del supresor de chispas

- Use un cepillo para quitar los depósitos de carbonilla de la pantalla del supresor de chispas. Tenga cuidado de no dañar la pantalla. Reemplace el supresor de chispas si tiene roturas u orificios.
- La instalación del supresor de chispas se hace en el orden contrario del desmontaje.



CONSEJOS ÚTILES Y SUGERENCIAS

ALMACENAJE DEL MOTOR

Preparación del almacenaje

Una adecuada preparación del almacenaje es esencial para mantener al motor sin averías y con un buen aspecto. Los siguientes pasos ayudarán a que el óxido y la corrosión no afecten ni el funcionamiento ni la apariencia del motor y harán que el motor arranque más fácilmente cuando lo vuelva a usar.

Limpieza

Si el motor ha estado en marcha, déjelo enfriar por al menos media hora antes de limpiarlo. Limpie todas las superficies exteriores, retoque cualquier pintura dañada y cubra con una fina capa de aceite otras áreas que se pueden oxidar.

AVISO

Usar una manguera de jardín o un equipo de lavado a presión puede forzar agua dentro de las aberturas de filtro de aire y del silenciador. El agua en el filtro de aire lo empapará y el agua que pase a través del filtro de aire o del silenciador puede entrar al cilindro, causando daños.

Combustible

La gasolina en almacenaje se oxida y se deteriora. La gasolina deteriorada causará un arranque difícil y deja depósitos de chicle que obstruyen el sistema de combustible. Si la gasolina en el motor se deteriora durante el almacenaje, puede que sea necesario realizar el servicio o reemplazar el carburador y demás componentes del sistema de combustible.

El tiempo que la gasolina puede permanecer en el tanque de combustible y en el carburador sin causar problemas de funcionamiento variará con factores tales como la mezcla de la gasolina, las temperaturas de almacenaje y si el tanque de combustible está parcial o completamente lleno. El aire en un tanque parcialmente lleno promueve el deterioro del combustible. Las temperaturas de almacenaje muy cálidas aceleran el deterioro del combustible. Se pueden producir problemas con el combustible dentro de meses o incluso en menor tiempo si la gasolina no estaba fresca cuando usted llenó el tanque de combustible.

Los daños al sistema de combustible o los problemas de funcionamiento del motor resultantes de la negligencia en la preparación del almacenaje, no están cubiertos por la *Garantía de su motor*.

Puede extender la vida de almacenaje del combustible agregando un estabilizador para la gasolina que está formulado con este propósito o puede evitar los problemas del deterioro del combustible al drenar el tanque y el carburador.

AGREGAR UN ESTABILIZADOR PARA LA GASOLINA PARA EXTENDER LA VIDA DE ALMACENAJE DEL COMBUSTIBLE

Cuando agregue un estabilizador para la gasolina, llene el tanque de combustible con gasolina fresca. Si sólo está parcialmente lleno, el aire en el tanque promoverá el deterioro del combustible durante el almacenaje. Si usted mantiene un recipiente con gasolina para el reabastecimiento, asegúrese que sólo contiene gasolina fresca.

- Agregue el estabilizador para la gasolina siguiendo las instrucciones del fabricante.
- Después de agregar el estabilizador para la gasolina, ponga en marcha el motor al aire libre por 10 minutos para asegurarse que la gasolina tratada reemplazó a la gasolina no tratada en el carburador.
- Pare el motor y gire la válvula de combustible a la posición CERRADA (consulte la página 3).

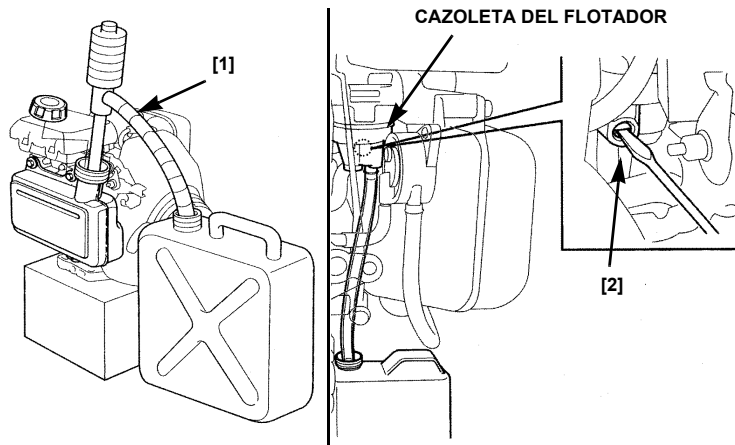
DRENAJE DEL TANQUE DE COMBUSTIBLE Y DEL CARBURADOR

⚠ ADVERTENCIA

La gasolina es altamente inflamable y explosiva. Usted puede quemarse o lesionarse gravemente al manipular combustible.

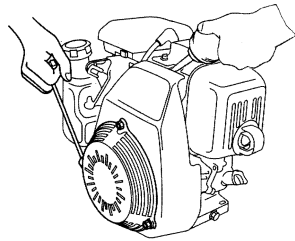
- Pare el motor y mantenga lejos el calor, las chispas y las llamas.
- Reabastezca sólo al aire libre.
- Limpie inmediatamente los derrames.

1. Use una bomba de sifón [1] (disponible en comercios) y trasvase el combustible desde el tanque a un recipiente de gasolina aprobado.
2. Coloque un recipiente de gasolina aprobado bajo el carburador y use un embudo para evitar el derrame de combustible.
3. Afloje el tornillo de drenaje del carburador [2] y vacíe el carburador a un recipiente de gasolina aprobado. Después de que el drenaje esté completo, apriete el tornillo de drenaje del carburador.



Aceite del motor

1. Cambie el aceite del motor (consulte la página 6).
2. Retire la bujía (consulte la página 6).
3. Vierta una cucharada (5 – 10 cc) de aceite de motor limpio en el cilindro.
4. Tire del arrancador manual varias veces para distribuir el aceite.
5. Vuelva a instalar la bujía.



Precauciones del almacenaje

Si el motor va a ser almacenado con gasolina en el tanque de combustible y en el carburador, es importante disminuir el peligro del encendido de los vapores de la gasolina. Seleccione un área de almacenaje bien ventilada lejos de cualquier aparato que funcione con fuego, como una caldera, un calentador de agua o un secador de ropa. Evite también cualquier área con un motor eléctrico que produzca chispas o donde funcionen herramientas mecánicas.

Si es posible, evite áreas de almacenaje con una alta humedad, porque promueve el óxido y la corrosión.

Si hay gasolina en el tanque de combustible, deje la válvula de combustible en la posición CERRADA (consulte la página 3).

Mantenga el motor nivelado en el almacenaje. La inclinación puede causar pérdidas de combustible o de aceite.

Cuando el motor y el sistema de escape estén fríos, cubra el motor para protegerlo del polvo. Un motor y un sistema de escape calientes pueden encender o derretir algunos materiales. No use láminas de plástico como cubierta guardapolvo. Una cubierta no porosa atraparà la humedad alrededor del motor, promoviendo el óxido y la corrosión.

Retiro del almacenaje

Compruebe el motor según se describe en la sección **COMPROBACIONES ANTES DE LA OPERACIÓN** de este manual (consulte la página 2).

Si se drenó el combustible durante la preparación del almacenaje, llene el tanque con gasolina fresca. Si usted mantiene un recipiente con gasolina para el reabastecimiento, asegúrese que sólo contiene gasolina fresca. La gasolina se oxida y deteriora con el tiempo, causando dificultades en el arranque.

Si cubrió el cilindro con aceite durante la preparación del almacenaje, el motor brevemente lanzará humo al arrancar. Esto es normal.

TRANSPORTE

Mantenga nivelado el motor al transportarlo para disminuir la posibilidad de pérdida de combustible. Gire la válvula de combustible a la posición CERRADA (consulte la página 3).

OCUPARSE DE PROBLEMAS INESPERADOS

EL MOTOR NO ARRANCA	Causa posible	Corrección
1. Compruebe las posiciones de los controles	Cebador abierto.	Tire el cebador a la posición CERRADO a menos que el motor esté caliente.
	Interruptor de encendido en APAGADO (OFF).	<ul style="list-style-type: none"> • Mueva la palanca del acelerador a la posición LENTO o RÁPIDO (p. 3). • Mueva la palanca del interruptor de encendido a la posición ENCENDIDO (ON) (p. 3). • Mueva el interruptor de paro del motor a la posición ENCENDIDO (ON) (p. 4).
2. Compruebe el nivel de aceite del motor.	Bajo nivel de aceite del motor (modelos con el sistema Oil Alert).	Llene con el aceite recomendado hasta el nivel adecuado (p. 5).
3. Compruebe el combustible.	Se acabó el combustible.	Reabastecer.
	Combustible malo, motor almacenado sin tratar, sin drenarle la gasolina o reabastecido con gasolina mala.	Drene el tanque de combustible y el carburador (p. 8). Reabastezca con gasolina fresca.
4. Extraiga y revise la bujía.	Bujía defectuosa, sucia o con una abertura inadecuada.	Cambie la bujía (p. 6).
	Bujía mojada con combustible (motor ahogado).	Seque y vuelva a instalar la bujía. Arranque el motor con la palanca del cebador/acelerador en la posición RÁPIDO. (Tipos 4 & 5: Posición del cebador CERRADA.)
5. Lleve el motor al servicio técnico del concesionario Honda autorizado o consulte el manual del taller.	Filtro de combustible bloqueado, mal funcionamiento del carburador, del encendido, válvulas trabadas, etc.	Reemplace o repare los componentes defectuosos según sea necesario.

EL MOTOR NO TIENE POTENCIA SUFICIENTE	Causa posible	Corrección
1. Compruebe el filtro de aire.	Filtro bloqueado.	Limpie o reemplace el filtro (p. 6).
2. Compruebe el combustible.	Combustible malo, motor almacenado sin tratar, sin drenarle la gasolina o reabastecido con gasolina mala.	Drene el tanque de combustible y el carburador (p. 8). Reabastezca con gasolina fresca.
3. Lleve el motor al servicio técnico del concesionario Honda autorizado o consulte el manual del taller.	Filtro de combustible bloqueado, mal funcionamiento del carburador, del encendido, válvulas trabadas, etc.	Reemplace o repare los componentes defectuosos según sea necesario.

INFORMACIÓN TÉCNICA Y AL CONSUMIDOR

INFORMACIÓN TÉCNICA

Ubicación del número de serie y del tipo

Registre el número de serie y tipo de motor en el espacio a continuación. Necesitará esta información al pedir piezas o cuando realiza averiguaciones técnicas o sobre la garantía.

UBICACIÓN DEL NÚMERO DE SERIE Y DEL TIPO



Número de serie del motor: _____ - _____

Tipo de motor: _____

Modificaciones al carburador para funcionamiento en altitud elevada

En altitud elevada, la mezcla estándar aire combustible del carburador es muy rica. El rendimiento disminuye y aumenta el consumo de combustible. Una mezcla muy rica también ensucia la bujía y causa un arranque difícil. El funcionamiento, por largos períodos, a una altitud que difiere para la que este motor está certificado, puede aumentar las emisiones.

El rendimiento a una altitud elevada se puede mejorar con modificaciones específicas al carburador. Si siempre opera la cortadora de césped a altitudes por sobre los 1.500 metros (5.000 pies), haga que el servicio técnico de su concesionario lleve a cabo esta modificación del carburador. Este motor, cuando funciona a una altitud elevada con las modificaciones en el carburador para esas altitudes, cumple cada estándar de emisiones a lo largo de su vida útil.

Incluso con la modificación en el carburador, la potencia del motor disminuye cerca de un 3,5% por cada 300 metros (1.000 pies) de aumento en la altitud. El efecto de la altitud en la potencia será mayor que esto si no se modifica el carburador.

AVISO

Cuando se modifica el carburador para un funcionamiento a una altitud elevada, la mezcla aire combustible es muy pobre para un uso a altitud normal. El funcionamiento a altitudes por debajo de los 1.500 metros (5.000 pies) con un carburador modificado puede causar el sobrecalentamiento del motor y tener como resultado graves daños en el motor. Para un uso a altitudes normales, haga que el servicio técnico de su concesionario vuelva al carburador a las especificaciones originales de fábrica.

Combustibles oxigenados

Algunas gasolinas convencionales se están mezclando con alcohol u otro compuesto de éter. A estas gasolinas se les llama en conjunto como combustibles oxigenados. Para cumplir los estándares de limpieza del aire, algunas áreas de los Estados Unidos y Canadá usan combustibles de este tipo para ayudar a disminuir las emisiones.

Si usa combustible oxigenado, asegúrese que no tiene plomo y que cumple los requisitos mínimos de índice de octano.

Antes de usar cualquier combustible oxigenado, intente confirmar los contenidos de éste. Algunos estados/provincias exigen que esta información se publique en la bomba.

Los siguientes son los porcentajes de oxigenados aprobados por la Agencia de Protección Ambiental (EPA, por sus siglas en inglés):

- ETANOL** — (alcohol etílico o de grano) 10% por volumen
Puede usar gasolina que contenga hasta un 10% de etanol por volumen. La gasolina que contiene etanol puede ser comercializada bajo el nombre de Gasohol.
- MTBE** — (metilterbutil éter) 15% por volumen
Puede usar gasolina que contenga hasta un 15% de MTBE por volumen.
- METANOL** — (alcohol metílico o de madera) 5% por volumen
Puede usar gasolina que contenga hasta un 5% de metanol por volumen siempre y cuando también contenga cosolventes e inhibidores de corrosión para proteger el sistema de combustible. La gasolina que contenga más de un 5% de metanol por volumen puede causar problemas de arranque y/o funcionamiento. También puede dañar las piezas metálicas, de goma y plásticas del sistema de combustible.

Si nota cualquier síntoma operativo indeseable, intente con otra estación de servicio o cambie a otra marca de gasolina.

Los daños en el sistema de combustible o los problemas de funcionamiento que resulten del uso de un combustible oxigenado que contenga más de los porcentajes de oxigenados mencionados anteriormente no están cubiertos por la *Garantía de su motor*.

Especificaciones – GS160

Largo x Ancho x Alto	367 x 331 x 360 mm
Peso en seco (sin combustible ni lubricantes)	13,6 kg
Tipo de motor	4 tiempos, árbol de levas en cabeza, monocilíndrico
Desplazamiento [Diámetro x Carrera]	64 x 50 mm 160 cm ³
Salida máxima	3,4 kW, 4,6 PS a 3.600 rpm
Par de torsión máximo	9,4 N m, 0,96 kg/m a 2.500 rpm
Capacidad del tanque de combustible	1,8 ℓ
Consumo de combustible	1,5 l/h a 3.600 rpm
Sistema de enfriamiento	Aire forzado
Sistema de encendido	Magneto transistorizado
Rotación del eje PTO	Sentido contrario a las agujas del reloj

Especificaciones – GS190

Largo x Ancho x Alto	367 x 331 x 368 mm
Peso en seco (sin combustible ni lubricantes)	13,8 kg
Tipo de motor	4 tiempos, árbol de levas en cabeza, monocilíndrico
Desplazamiento [Diámetro x Carrera]	187 cm ³ 69 x 50 mm
Salida máxima	3,9 kW, 5,3 PS a 3.600 rpm
Par de torsión máximo	11,2 N m, 1,14 kg/m a 2.500 rpm
Capacidad del tanque de combustible	1,8 ℓ
Consumo de combustible	1,6 l/h a 3.600 rpm
Sistema de enfriamiento	Aire forzado
Sistema de encendido	Magneto transistorizado
Rotación del eje PTO	Sentido contrario a las agujas del reloj

Especificaciones de afinamiento

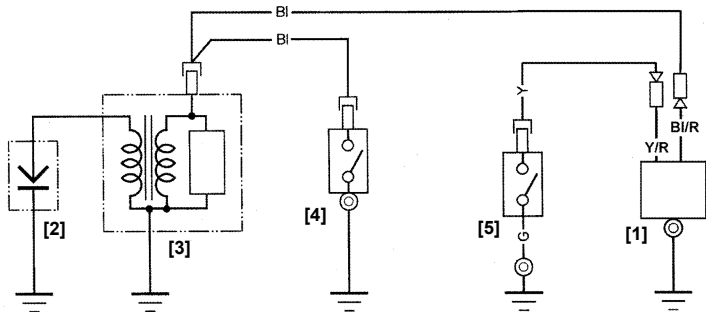
ARTÍCULO	ESPECIFICACIONES	MANTENIMIENTO
Abertura de la bujía	0,7 – 0,8 mm	Consulte la página 6.
Holgura de la válvula (frio)	ADM: 0,15 ± 0,04 mm ESC: 0,20 ± 0,04 mm	Consulte con su concesionario Honda autorizado
Otras especificaciones	No se necesita otros ajustes.	

Información de referencia rápida

Combustible	Tipo	Gasolina sin plomo con un índice de octano de la bomba de 86 o mayor (página 5).
	Capacidad	1,8 ℓ
Aceite del motor	Tipo	SAE 10W-30, API SH o SJ, para uso general. Consulte la página 5.
	Capacidad	0,58 ℓ
Carburador	Ralentí	1,400 ± 150 rpm
Bujía	Tipo	BPR6ES (NGK)
	Abertura	0,7 – 0,8 mm Consulte la página 6.
Mantenimiento	Antes de cada uso	Compruebe el nivel de aceite del motor. Consulte la página 5. Compruebe el filtro de aire. Consulte la página 6.
	Primeras 5 horas	Cambie el aceite del motor. Consulte la página 6.
	Posterior	Consulte el programa de mantenimiento en la página 5.

Diagrama del cableado

Con Oil Alert



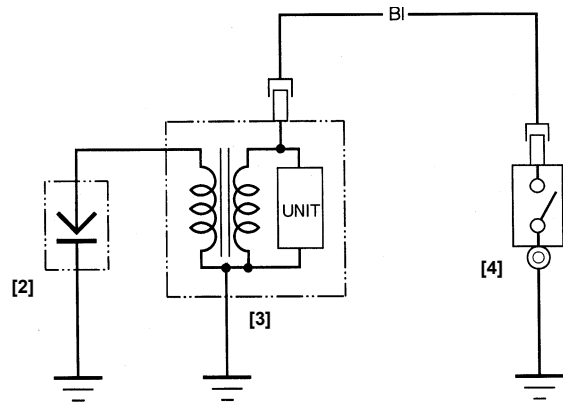
- [1] UNIDAD OIL ALERT
 [2] BUJÍA
 [3] BOBINA DE ENCENDIDO
 [4] INTERRUPTOR DE ENCENDIDO (posición normal abierto)
 [5] INTERRUPTOR DEL NIVEL DE ACEITE (posición normal abierto)

MOTOR	POSICIÓN DEL INTERRUPTOR
EN MARCHA	ABIERTO
PARADA	CERRADO

NIVEL DE ACEITE	POSICIÓN DEL INTERRUPTOR	MOTOR
NORMAL	ABIERTO	EN MARCHA
NIVEL BAJO	CERRADO	PARADA

Bl	Negro	Br	Marrón
Y	Amarillo	O	Naranja
Bu	Azul	Lb	Azul claro
G	Verde	Lg	Verde claro
R	Rojo	P	Rosa
W	Blanco	Gr	Gris

Sin Oil Alert



- [2] BUJÍA
 [3] BOBINA DE ENCENDIDO
 [4] INTERRUPTOR DE ENCENDIDO (posición normal abierto)

MOTOR	POSICIÓN DEL INTERRUPTOR
MARCHA	ABIERTO
PARADA	CERRADO

INFORMACIÓN AL CONSUMIDOR

Publicaciones Honda

Estas publicaciones le entregarán información adicional para el mantenimiento y la reparación del motor. Puede pedirlos al servicio técnico de un concesionario Honda autorizado.

Manual del taller	Este manual cubre todos los procedimientos de mantenimiento y examinación. El objetivo es que los use un técnico adiestrado.
Catálogo de piezas	Este manual proporciona listas completas e ilustradas de las piezas.

INFORMASI GARANSI INTERNASIONAL AL UNTUK MESIN SERBA GUNA Honda

Mesin Serba Guna Honda yang dipasang pada produk buatan manufaktur lain (OEM) ini dijamin oleh garansi Honda, berdasarkan persyaratan berikut:

- Syarat garansi ini berlaku bagi mesin serba guna yang ditetapkan Honda untuk masing-masing negara.
- Garansi ini berlaku untuk kerusakan mesin yang disebabkan oleh masalah produksi atau spesifikasi.
- Garansi ini tidak berlaku bagi negara-negara yang tidak memiliki distributor Honda.

Cara memperbaiki produk yang memiliki garansi:

Bawalah produk Anda ke dealer yang berkaitan dengan produk-produk mesin Honda atau dealer tempat Anda membeli produk tersebut, dengan membawa nota pembelian yang Anda terima saat Anda membeli produk tersebut sebagai bukti bahwa produk Anda masih memiliki garansi. Apabila dealer tersebut menilai bahwa mesin Anda perlu diperbaiki, maka perbaikan akan diberikan.

KETERANGAN JAMINAN ANTARABANGSA UNTUK Honda GENERAL PURPOSE ENGINES

The Honda General Purpose Engine yang diinstal dalam produk OEM dilindungi oleh jaminan Honda, dalam penerimaan berikut:

- Syarat jaminan menurut kepada general-purpose engine yang dikeluarkan oleh Honda di setiap negara.
- Syarat jaminan berlaku untuk kerusakan mesin yang disebabkan sebarang pembuatan atau spesifikasi tertentu.
- Jaminan ini tidak berlaku untuk negara dimana yang tidak ada penganter honda.

Bagaimana hendak membetulkan/membalaki produk anda dibawah jaminan:

Hantarkan produk OEM anda kepada penganter yang mengedar produk Honda Power atau penganter yang anda beli produk anda daripadanya, dengan resit almasa pembelian sebagai bukti yang produk anda masih dibawah jaminan kerosakan. Sekiranya penganter mengutarakan supaya produk anda perlu dibalaki, jaminan pembalakan akan di jalankan.

INTERNATIONAL WARRANTY INFORMATION FOR Honda GENERAL PURPOSE ENGINES

The Honda General Purpose Engine installed on this OEM product is covered by a Honda warranty, on the following assumptions.

- The warranty conditions conform to those for the general purpose engine established by Honda for each country.
- The warranty conditions apply to engine failures caused by any manufacturing or specification problem.
- The warranty does not apply to countries where there is no Honda distributor.

How to have your product repaired under warranty:

Bring your OEM product to the dealer who deals with Honda power products or the dealer who you purchased your product from, with the receipt you received at the time of purchase as evidence that your product is still under warranty. If the dealer judges that the engine needs to be repaired, warranty repair will be performed.

Honda 汎用エンジン 保証のご案内

このOEM製品（相手先ブランド製品）に搭載されたHonda汎用エンジンにはHondaの保証が適用されます。基本的な考え方は、以下の通りです。

- 保証条件は、その国においてHondaが定めている汎用エンジンの保証条件に従います。
- エンジン修理の原因が製造上、仕様上のトラブルによるものである場合に保証が適用されます。
- その国にHondaディストリビューターが無い場合は、保証は受けられません。

保証修理の受け方

保証期間内であることの確認のため、製品購入時の領収書と共に、Honda汎用製品を扱っているディーラー又はOEM製品をお買い上げになったディーラーに製品をお持ちください。Hondaエンジンを修理する必要があるとそのディーラーが判断した場合は、保証修理が行われます。

معلومات عن الضمانة الدولية لحرركات هوندا للأغراض العامة

محرركات هوندا للأغراض العامة التي تم تركيبها على المنتجات التي تم صنعها بواسطة شركات أخرى تكون مشمولة بضمانة هوندا، وتخضع الضمانة الأساسية لما يلي:

- حالات الضمانة المطابقة لهذه المحركات للأغراض العامة تم وضعها من قبل هوندا لكل بلد.
- يتم تطبيق شروط الضمانة على أعمال الحرك التي سببها من أي خلل بالتصنيع أو مشاكل بالواصفات.
- لا يتم تطبيق الضمانة على البلدان التي لا يوجد فيها موزع هوندا.

كيفية إصلاح جهازك تحت هذه الضمانة

خذ جهازك الى الوكيل الذي يتعامل بمنتجات الطاقه من هوندا أو الوكيل الذي اشتريته منه مع مستند الشراء الذي استلمته عند وقت الشراء. كبرهان على أن جهازك لازال مشمول بالضمانة. إذا قرر الوكيل أن المحرك، في حاجة الى إصلاح، يتم تنفيذ التصليح حسب الضمانة.

INFORMATIONS SUR LA GARANTIE INTERNATIONALE DES MOTEURS A USAGE GENERAL Honda

Le moteur à usage général Honda installé sur ce matériel OEM est couvert par une garantie Honda dans les conditions suivantes:

- Les conditions de garantie sont conformes à celles pour le moteur à usage général établies par Honda pour chaque pays.
- Les conditions de garantie s'appliquent aux pannes de moteur causées par un problème de fabrication ou de spécification.
- La garantie ne s'applique pas aux pays où il n'existe pas de distributeur Honda.

Comment faire réparer votre matériel sous la garantie:

Amenez votre matériel OEM chez le revendeur s'occupant de matériels de puissance Honda ou chez le revendeur où vous avez acheté votre matériel, avec le reçu d'achat en main comme preuve que votre matériel est encore sous garantie. Si le revendeur estime que le moteur a besoin d'être réparé, la réparation aura lieu sous garantie.

INFORMATIONEN ZUR INTERNATIONALEN GARANTIE FÜR Honda-INDUSTRIEMOTOREN

Der in diesem Erstausrüster-Produkt installierte Honda-Industriemotor ist unter den nachfolgend aufgeführten Voraussetzungen von der Honda-Garantie abgedeckt.

- Die für Industriemotoren geltenden Garantiebestimmungen wurden von Honda für jedes Land festgelegt.
- Die Garantie gilt für Motordefekte, die durch einen Fabrikationsfehler oder inkorrekte Spezifikationen verursacht wurden.
- Die Garantie gilt nicht in Ländern, in denen kein Honda-Großhändler vorhanden ist.

Vorgehensweise bei einem Garantiefall:

Bringen Sie Ihr Erstausrüster-Produkt zu einem Honda-Händler für motorgetriebene Geräte oder zu Ihrem Verkaufshändler. Zum Beweis, daß das Produkt noch durch die Garantie abgedeckt ist, muß zu dieser Zeit der Verkaufsbeleg vorgelegt werden. Nachdem der Händler bestätigt, daß eine Reparatur des Motors erforderlich ist, werden die nötigen Garantiearbeiten ausgeführt.

INTERNATIONALE GARANTIE INFORMATIE VOOR Honda ALGEMEEN-GEBRUIK MOTOREN

De Honda algemeen-gebruik motor die op dit EOM product is gemonteerd, is gedekt door een Honda garantie, waarbij het volgende in acht moet worden genomen:

- De garantievoorwaarden voldoen aan die voor de algemeen-gebruik motoren opgesteld door Honda voor ieder land.
- De garantievoorwaarden zijn van toepassing op motordefecten die veroorzaakt zijn door fabricage- of specificatiefouten.
- De garantie geldt niet in landen waar geen Honda distributeur is.

Repareren van het product onder de garantie:

Breng uw OEM product naar een dealer die Honda elektrische producten verkoopt of naar de dealer waarvan u het product heeft gekocht, tezamen met het bewijs van aankoop zodat de dealer kan zien dat het product nog onder de garantie is. Indien de dealer van oordeel is dat de motor gerepareerd moet worden, zal deze onder de garantie worden gerepareerd.

INFORMAZIONI SULLA GARANZIA INTERNAZIONALE PER I MOTORI Honda PER USO GENERICO

La garanzia Honda è applicabile sui motori Honda per uso generico che equipaggiano macchine prodotte da altri costruttori ed è assoggettata alle seguenti regole:

- Le condizioni di garanzia sono conformi a quelle per i motori per uso generico stabilite da Honda per ogni nazione.
- Le condizioni di garanzia si applicano da problemi del motore causati da qualsiasi problema di produzione o specifico.
- La garanzia non si applica alle nazioni nelle quali non è presente nessun rivenditore Honda.

Procedure per ottenere interventi in garanzia:

Portare il prodotto di altro costruttore dal rivenditore dal quale si è acquistato il prodotto, con la ricevuta fornita nel momento dell'acquisto, come prova che il prodotto è ancora in garanzia. Se il rivenditore ritiene che il motore necessita di riparazioni, verranno eseguite le riparazioni in garanzia.

INFORMACIÓN SOBRE LA GARANTÍA INTERNACIONAL DE LOS MOTORES Honda DE USO GENERAL

El motor Honda de uso general instalado en este producto de fabricante de equipo original (OEM) está cubierto por una garantía de Honda, bajo las condiciones siguientes.

- Las condiciones de garantía conforman las de los motores de uso general establecidas por Honda para cada país.
- Las condiciones de garantía se aplican a las averías de motores causadas por un problema de fabricación o de especificaciones.
- La garantía no se aplica en los países en los que no haya ningún distribuidor de Honda.

Cómo hacer para que le reparen su producto en garantía:

Lleve su producto OEM al concesionario que comercializa productos motorizados Honda o al concesionario donde usted compró su producto, llevando el recibo que le entregaron en el momento de la compra como prueba de que su producto está todavía en garantía. Si el concesionario cree que hay que reparar el motor, se le realizará la reparación aplicando la garantía.

INFORMAÇÃO SOBRE A GARANTIA INTERNACIONAL PARA MOTORES Honda PARA USO GERAL

O motor Honda para uso geral neste produto OEM é coberto pela garantia Honda de acordo com os seguintes princípios.

- As condições da garantia conformam com as condições de garantia para motores de uso geral estabelecidas pela Honda no país em questão.
- As condições da garantia são para falhas do motor causadas por qualquer problema de fabricação ou especificação.
- A garantia não é válida em países onde não há um distribuidor Honda.

Para obter o serviço sob a garantia:

Leve o seu produto OEM para um revendedor que venda produtos montados com motor Honda ou ao revendedor onde comprou o produto, com o recibo que recebeu no ato da compra como uma evidência que o produto ainda está na garantia. Se o revendedor julgar que o motor precisa ser reparado, o reparo será realizado através da garantia.

本田通用发动机国际保修通知

该OEM产品中安装的本田通用发动机包含有下列前提下的本田保修承诺。

- 保修条件应符合本田针对各国制定的通用发动机的保修条件。
- 保修条件适用于因任何制造或规格问题所造成的发动机故障。
- 该保修不适用于无本田经销商的国家。

如何使您的产品得到保修:

请将您的OEM产品送到办理本田动力产品的经销商或您购买该产品的经销商, 出示购买时所得到的发票, 以证明您的产品仍在保修期内。若经销商断定该发动机需要修理时, 就会得到保修修理。

ข้อมูลเกี่ยวกับการรับประกันสินค้าระหว่างประเทศ สำหรับเครื่องยนต์แบบประสงค์ขอตนาค้า

เครื่องยนต์แบบประสงค์ขอตนาค้าที่ได้รับการติดตั้งในผลิตภัณฑ์ OEM นี้ ได้ถูกครอบคลุมอยู่ในการรับประกันของฮอนด้า ตามเงื่อนไขดังต่อไปนี้

- เงื่อนไขในการรับประกันนี้ใช้สำหรับเครื่องยนต์แบบประสงค์ที่ถูกผลิตโดยฮอนด้าในแต่ละประเทศ
- เงื่อนไขในการรับประกันนี้จะรับประกันถึงการเสียหายของเครื่องยนต์ที่มีสาเหตุใด ๆ ที่เกิดจากการผลิตหรือเกิดจากอุบัติเหตุที่การระบุเฉพาะ
- การรับประกันนี้จะไม่ครอบคลุมถึงประเทศที่ไม่มีตัวแทนจำหน่ายของฮอนด้า

การเข้ารับการซ่อมภายใต้เงื่อนไขการรับประกัน

นำผลิตภัณฑ์OEM ของท่านไปยังร้านค้าตัวแทนบริษัทที่มีการตกลงกับทางฮอนด้าแล้วเกี่ยวกับเครื่องยนต์หรือจำหน่ายชิ้นงานได้แก่ "ชื่อผลิตภัณฑ์ในพหุคูณ" ไปร้านรับประกันที่ท่านได้รับในตอนนี้อยู่เพื่อเป็นหลักฐานการผลิตกับฮอนด้าของฮอนด้าในช่วงเวลาของการรับประกันและทางผู้จำหน่ายฮอนด้าเห็นว่าเครื่องยนต์ต้องการได้รับการซ่อมแซมจะได้รับบริการซ่อมภายใต้เงื่อนไขการรับประกัน